

DADCO®

SCS Type Nitrogen Gas Spring

SCS.7000

NEW!

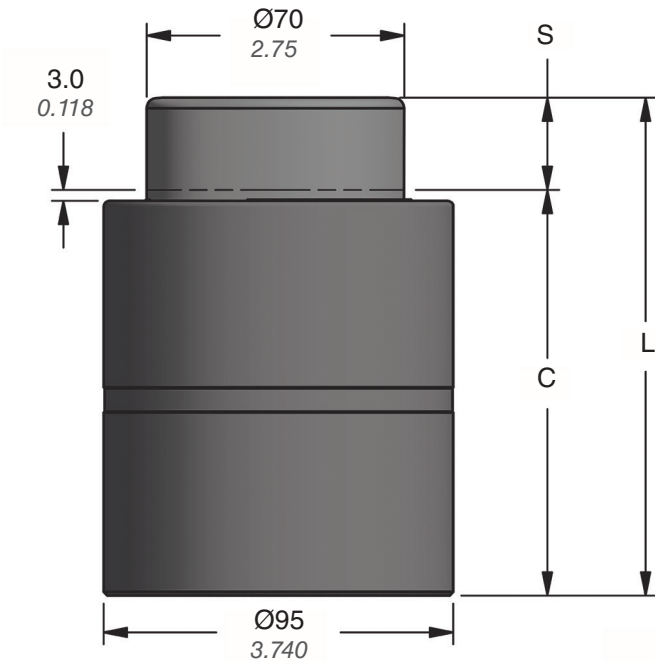


High Force in a Compact Package!

- Up to 6.5 tons of force on-contact
- Extended rod guidance for increased side load resistance
- Optional base mount provides integrated linking capability

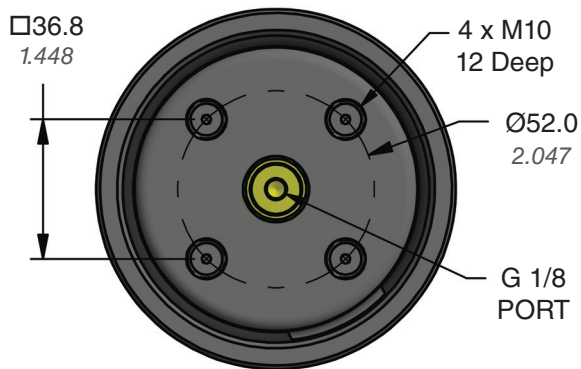
SCS.7000 – 57.7 kN / 6.5 ton

SCS Type Nitrogen Gas Spring

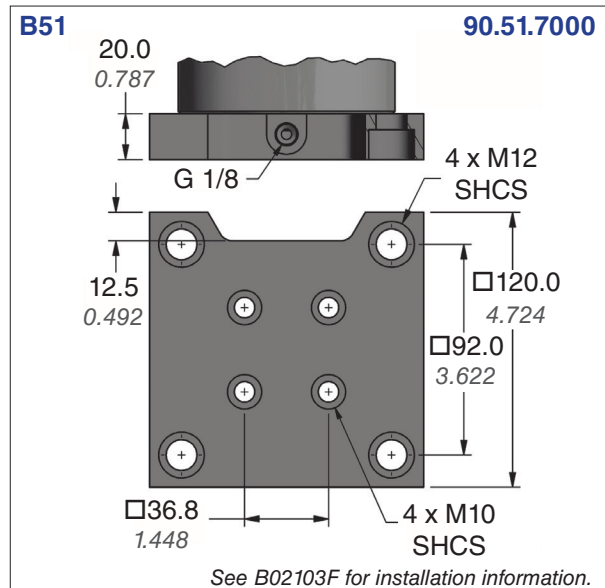


Part No.	S mm inch	C	L ±0.25 ±0.010
SCS.7000.015	15 0.59	100 3.94	115 4.528
SCS.7000.025	25 0.98	110 4.33	135 5.315
SCS.7000.038	38 1.50	127 5.00	165 6.496
SCS.7000.050	50 1.97	140 5.51	190 7.480
SCS.7000.063	63 2.48	157 6.18	220 8.661
SCS.7000.080	80 3.15	180 7.09	260 10.236

On-Contact Force		On-Contact Force	
psi	lb.	bar	daN
2175	12974	150	5773
2000	11930	125	4811
1750	10439	100	3848
1500	8948	75	2886
1000	5965	50	1924
500	2983	25	962
250	1491	20	770



TO - Basic Model



See B02103F for installation information.

Ordering Example:

SCS.7000.080. TO. C. 150

Part Number:

Includes Series, Model and Stroke Length.

Mount Option:

TO = Basic Model. B51 mount ordered with cylinder will be attached at the factory.
When not specified, default is TO.

Charging Pressure: 15-150 bar (220-2175 psi)
When not specified, default is 150 bar.

Operating System: C = Self-contained,
F = Open Flow Fitting with mount. When not specified, default is C, self contained.

Cylinder with B51 Mount: SCS.7000.080.B51.F