

DADCO®

SCS Type Nitrogen Gas Spring

SCS.7000

NEW!

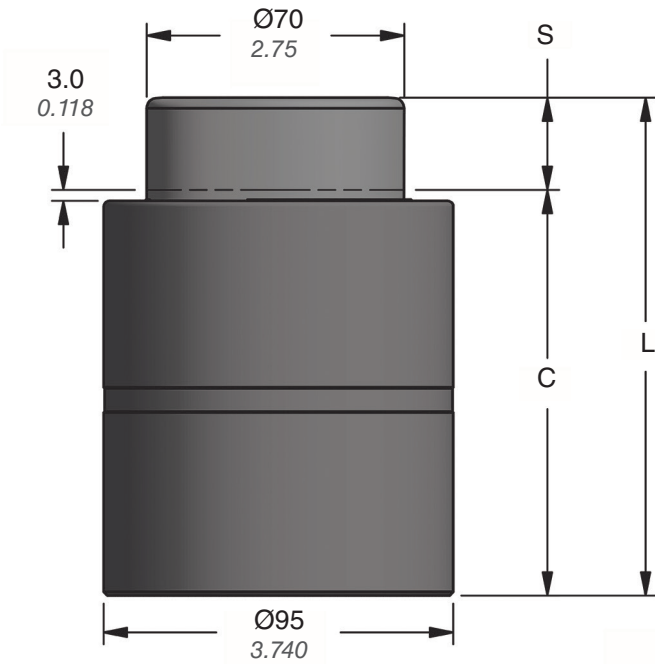


High Force in a Compact Package!

- Up to 6.5 tons of force on-contact
- Extended rod guidance for increased side load resistance
- Optional base mount provides integrated linking capability

SCS.7000 – 57.7 kN / 6.5 ton

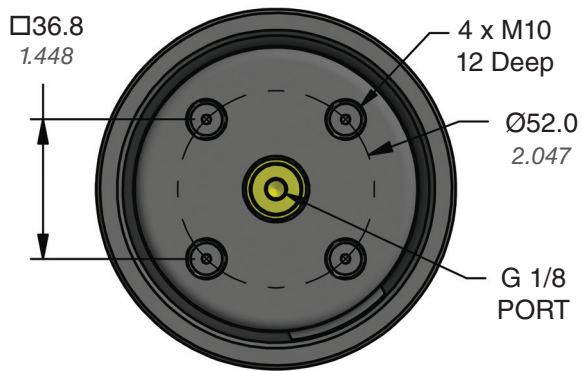
SCS Type Nitrogen Gas Spring



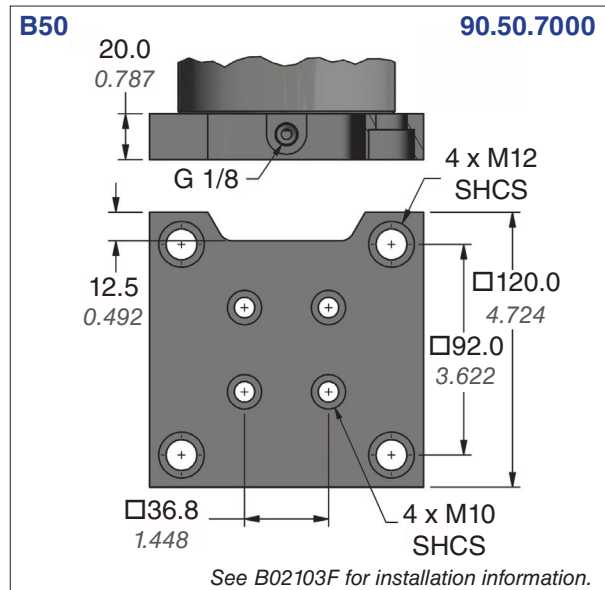
Part No.	S mm inch	C	L ±0.25 ±0.010
SCS.7000.015	15 0.59	100 3.94	115 4.528
SCS.7000.025	25 0.98	110 4.33	135 5.315
SCS.7000.038	38 1.50	127 5.00	165 6.496
SCS.7000.050	50 1.97	140 5.51	190 7.480
SCS.7000.063	63 2.48	157 6.18	220 8.661
SCS.7000.080	80 3.15	180 7.09	260 10.236

On-Contact Force	
psi	lb.
2175	12974
2000	11930
1750	10439
1500	8948
1000	5965
500	2983
250	1491

On-Contact Force	
bar	daN
150	5773
125	4811
100	3848
75	2886
50	1924
25	962
20	770



TO - Basic Model



Ordering Example:

SCS.7000.080. TO. C. 150

Part Number: _____

Includes Series, Model and Stroke Length.

Mount Option: _____

TO = Basic Model. B50 mount ordered with cylinder will be attached at the factory.
When not specified, default is TO.

Charging Pressure: 15-150 bar (220-2175 psi)
When not specified, default is 150 bar.

Operating System: C = Self-contained,
F = Open Flow Fitting with mount. When not specified, default is C, self contained.

Cylinder with B50 Mount: SCS.7000.080.B50.F