

Pin Extension Code	XS		PL	
	mm	inch	mm	inch
0200	20.0	0.787	73.98	2.912
0254	25.4	1.000	79.38	3.125
0300	30.0	1.181	83.98	3.306
0318	31.75	1.250	85.73	3.375
0381	38.1	1.500	92.08	3.625
0400	40.0	1.575	93.98	3.700
0445	44.5	1.752	98.43	3.875
0500	50.0	1.969	103.98	4.094
0508	50.8	2.000	104.78	4.125
0572	57.15	2.250	111.13	4.375
0600	60.0	2.362	113.98	4.487
0635	63.5	2.500	117.48	4.625
0700	70.0	2.756	123.98	4.881
0762	76.2	3.000	130.18	5.125
0800	80.0	3.150	133.98	5.275
0889	88.9	3.500	142.88	5.625
0900	90.0	3.543	143.98	5.668

Velocity Estimate (m/sec)	0.50	0.60	0.70	0.80	0.90	1.00	1.10	1.20	
Per GRS max (lb.)	185	129	94	72	57	46	38	32	
Per GRS max (kg)	84	58	43	33	26	21	17	15	
Pad Mass		GRS.36.HD1 Quantity							
lb.	kg								
50	23	2	2	2	2	2	3	3	3
100	45	2	2	3	3	3	4	4	5
150	68	2	3	3	4	4	5	5	6
200	91	3	3	4	4	5	6	7	8
250	113	3	3	4	5	6	7	8	
300	136	3	4	5	6	7	8		
350	159	3	4	5	6	8			
400	181	4	5	6	7	8			
450	204	4	5	6	8				
500	227	4	5	7	8				

Ordering Example:

GRS.36.HD1. M1. 0500

Part Number:

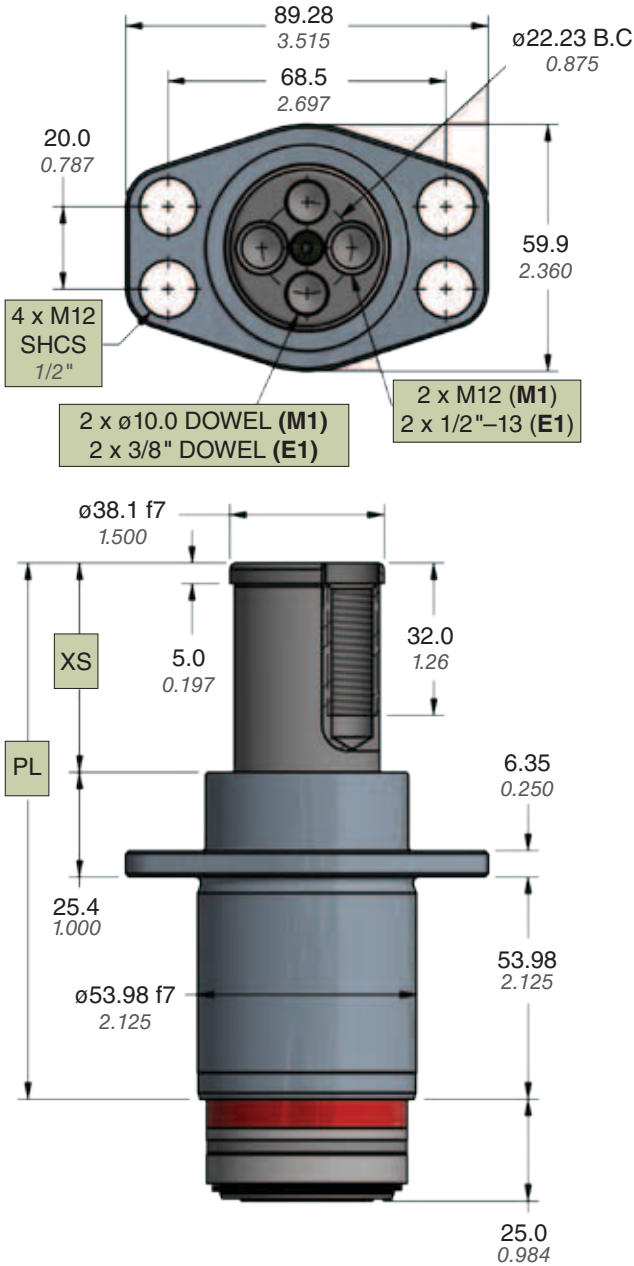
Includes Series, Model and Retainer Mount Option (HD2)

Guide Rod Option:

M1 = 2 x ø10.0; 2 x M12, Metric with Dowel;
E1 = 2 x 1/2"-13; 2 x 3/8", Imperial with Dowel

Pin Extension Code:

20.0 mm to 90.0 mm
Example: 0200 = 20.0 mm (XS Dimension)



Pin Extension Code	XS		PL		Pin Extension Code	XS		PL	
	mm	inch	mm	inch		mm	inch	mm	inch
0200	20.0	0.787	99.38	3.912	0254	25.4	1.000	104.78	4.125
0300	30.0	1.181	109.38	4.306	0318	31.75	1.250	111.13	4.375
0400	40.0	1.575	119.38	4.700	0381	38.1	1.500	117.48	4.625
0500	50.0	1.969	129.38	5.094	0445	44.5	1.752	123.83	4.875
0600	60.0	2.362	139.38	5.487	0508	50.8	2.000	130.18	5.125
0700	70.0	2.756	149.38	5.881	0572	57.15	2.250	136.53	5.375
0800	80.0	3.150	159.38	6.275	0635	63.5	2.500	142.88	5.625
0900	90.0	3.543	169.38	6.668	0762	76.2	3.000	155.58	6.125
1000	100.0	3.937	179.38	7.062	0889	88.9	3.500	168.28	6.625
1100	110.0	4.331	189.38	7.456	1016	101.6	4.000	180.98	7.125
1200	120.0	4.724	199.38	7.849	1143	114.3	4.500	193.68	7.625
1300	130.0	5.118	209.38	8.243	1270	127.0	5.000	206.38	8.125
1400	140.0	5.512	219.38	8.637	1397	139.7	5.500	219.08	8.625

Velocity Estimate (m/sec)	0.50	0.60	0.70	0.80	0.90	1.00	1.10	1.20	
Per GRS max (lb.)	185	129	94	72	57	46	38	32	
Per GRS max (kg)	84	58	43	33	26	21	17	15	
Pad Mass		GRS.36.HD1 Quantity							
lb.	kg	2	2	2	2	2	3	3	3
50	23	2	2	3	3	3	4	4	5
100	45	2	3	3	4	4	5	5	6
150	68	3	3	4	4	5	6	7	8
200	91	3	3	4	5	6	7	8	
250	113	3	4	5	6	7	8		
300	136	3	4	5	6	7	8		
350	159	3	4	5	6	8			
400	181	4	5	6	7	8			
450	204	4	5	6	8				
500	227	4	5	7	8				

Ordering Example:

GRS.36.HD2. M1. 0500

Part Number:

Includes Series, Model and Retainer Mount Option (HD2)

Guide Rod Option:

M1 = 2 x ø10.0; 2 x M12, Metric with Dowel;
E1 = 2 x 1/2"-13; 2 x 3/8", Imperial with Dowel

Pin Extension Code:

20.0 mm to 140.0 mm
 Example: 0200 = 20.0 mm (XS Dimension)