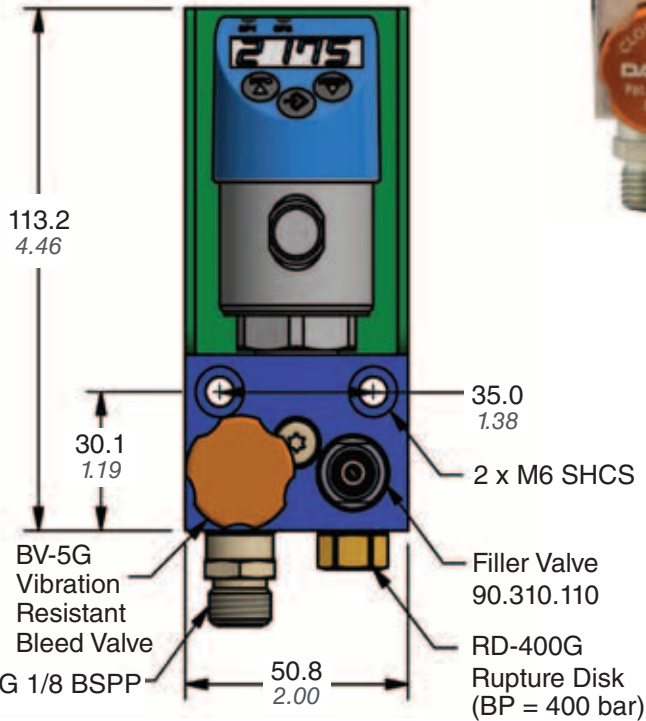
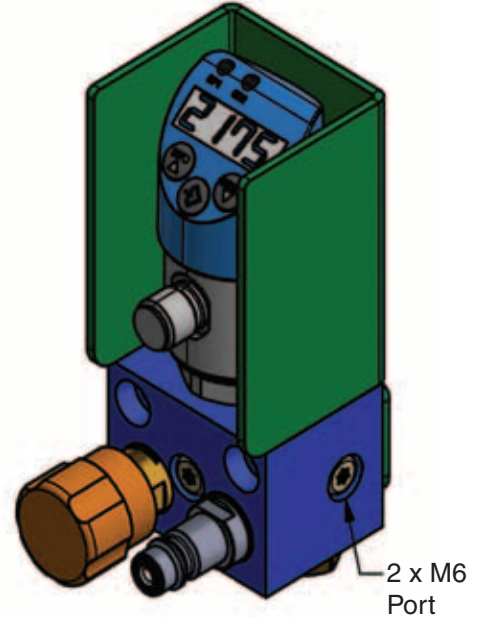
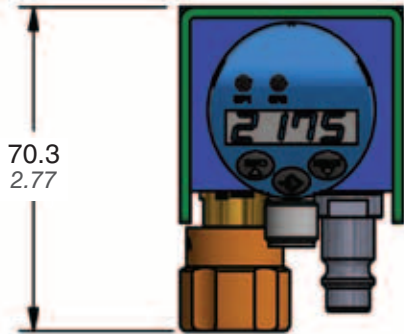


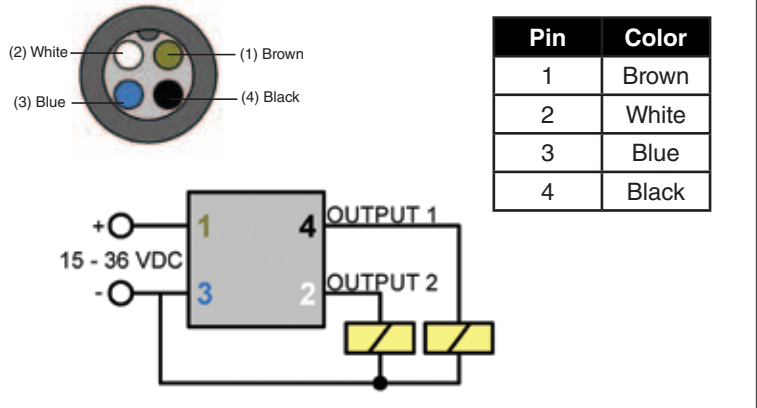
# Nitrogen Gas Spring Accessories

## Improved! Digital Pressure Sensor

Ideal for narrow tools and dies, DADCO's improved Compact Pressure Monitor is a space saving solution combining pressure monitoring capability with press control. The redesigned block, with an integrated patent pending resistant bleed valve and fill valve together on one face, allows for easy access to controls. The blue LED display is highly visible and is easily configured to control press operations when set pressure limits are exceeded.



### Circuit Diagram



### Features:

- Measuring Range: 0 – 400 bar (0 – 5800 psi)
- Voltage: 9 – 35 VDC
- Output Signal: SKN – 2 NPN, SKP – 2 PNP
- Accuracy:  $\leq \pm 1\%$  Full Scale
- Electrical Connection: 4 – pin M12 x 1
- Current Consumption: 45 mA

### Ordering Code:

**90.421. C2. S. SKN. G2**

Model Number

Base Option:

C2 = Block with Integrated Bleed Valve (BV-5G), Filler Valve and Rupture Disk.  
 CP = Block with Standard Bleed Valve (BV-4G), Filler Valve and Rupture Disk.

Guard Option

Pressure Monitor Sensor Option:

SKN = NPN Electronic Pressure Switch  
 SKP = PNP Electronic Pressure Switch

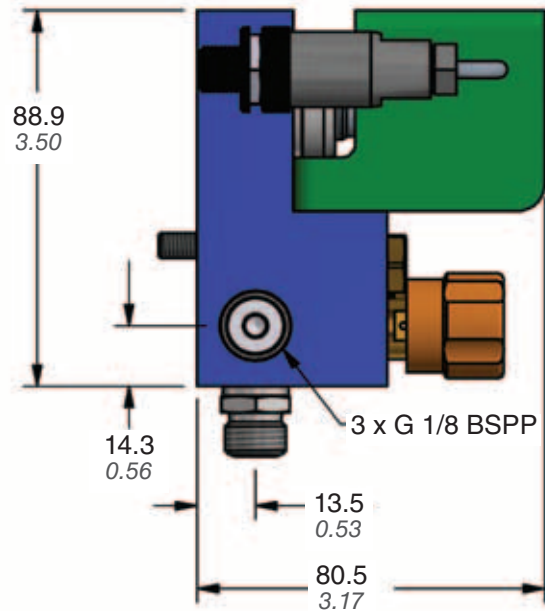
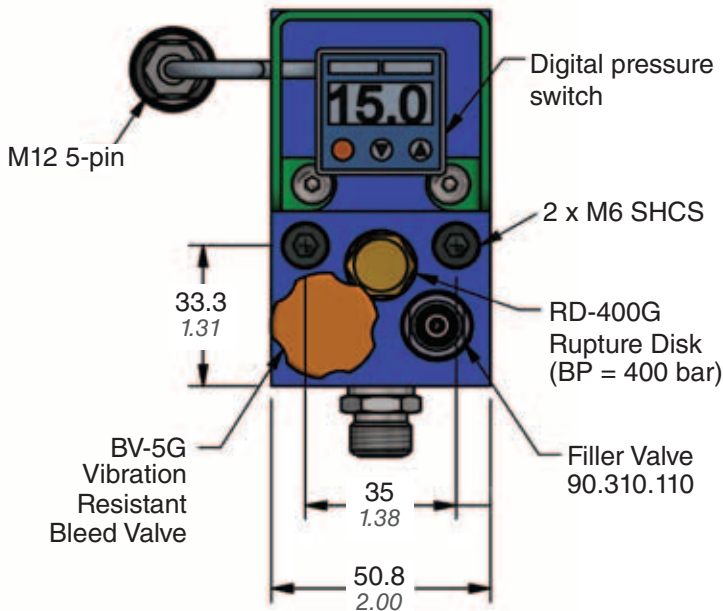
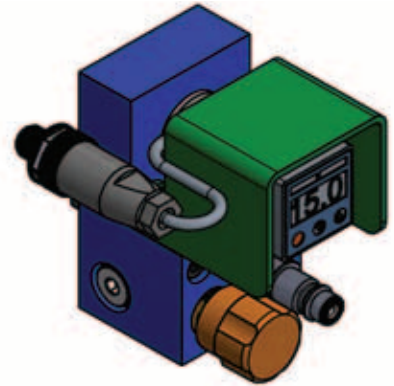
Fitting Connection:

N = No Fitting Supplied, S = 90.505.115 (ORFS),  
 D = 90.508.115 (D-24), B = 90.805.115 (Zip),  
 L = MINILink® Fitting (90.607.115).

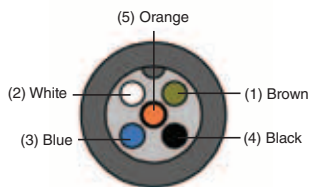
# NEW! Compact Digital Pressure Sensor

## Nitrogen Gas Spring Accessories

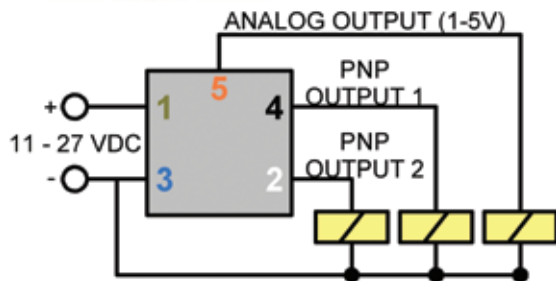
The new 90.422.D is our smallest digital pressure monitor. The 90.422.D offers an even more compact option for challenging space constraints. The 90.422.D is available with a digital display output in either Bar or MPa. Fully integrated fill and bleed valves on the same face of the panel allow for easy access. DADCO's patent pending vibration resistant BV-5G comes standard on the 90.422.D, ensuring reliable performance in demanding press environments.



### M12 Circuit Diagram



Pin	Color
1	Brown
2	White
3	Blue
4	Black
5	Orange



### Performance Specifications:

#### ANALOG OUTPUT (1-5Vdc):

- Analog Scaling: User may configure analog output scaling to any range within Full Scale of sensor
- Accuracy:  $\pm 1.0\%$  Full Scale (includes effects of linearity, hysteresis and repeatability)
- Full Scale: 0 – 35 MPa / 0 – 350 bar
- Output Resolution: 25 mV
- Response time: 50 m/sec

#### PRESSURE SWITCH OUTPUT:

- Type: PNP open collector up to 30 Vdc/ 80mA
- Switch Setting: User may adjust switch actuation & deadband to any points within Full Scale sensor range
- Setting Accuracy:  $\pm 1.0\%$  Full Scale
- Response Time: 5 – 20 m/sec
- Number of Contacts: 2
- Hysteresis: Variable

### Ordering Code:

Model Number **90.422. D. S. G. M12**  
 Pressure Monitor Option: \_\_\_\_\_  
 D = Digital

Electrical Connection:  
 M12 = 5 pin M12  
 PT = pigtail

Fitting Connection: N = No Fitting Supplied,  
 S = 90.505.115 (ORFS), D = 90.508.115 (D-24),  
 B = 90.805.115 (Zip), L = MINILink® Fitting (90.607.115).

Guard Option