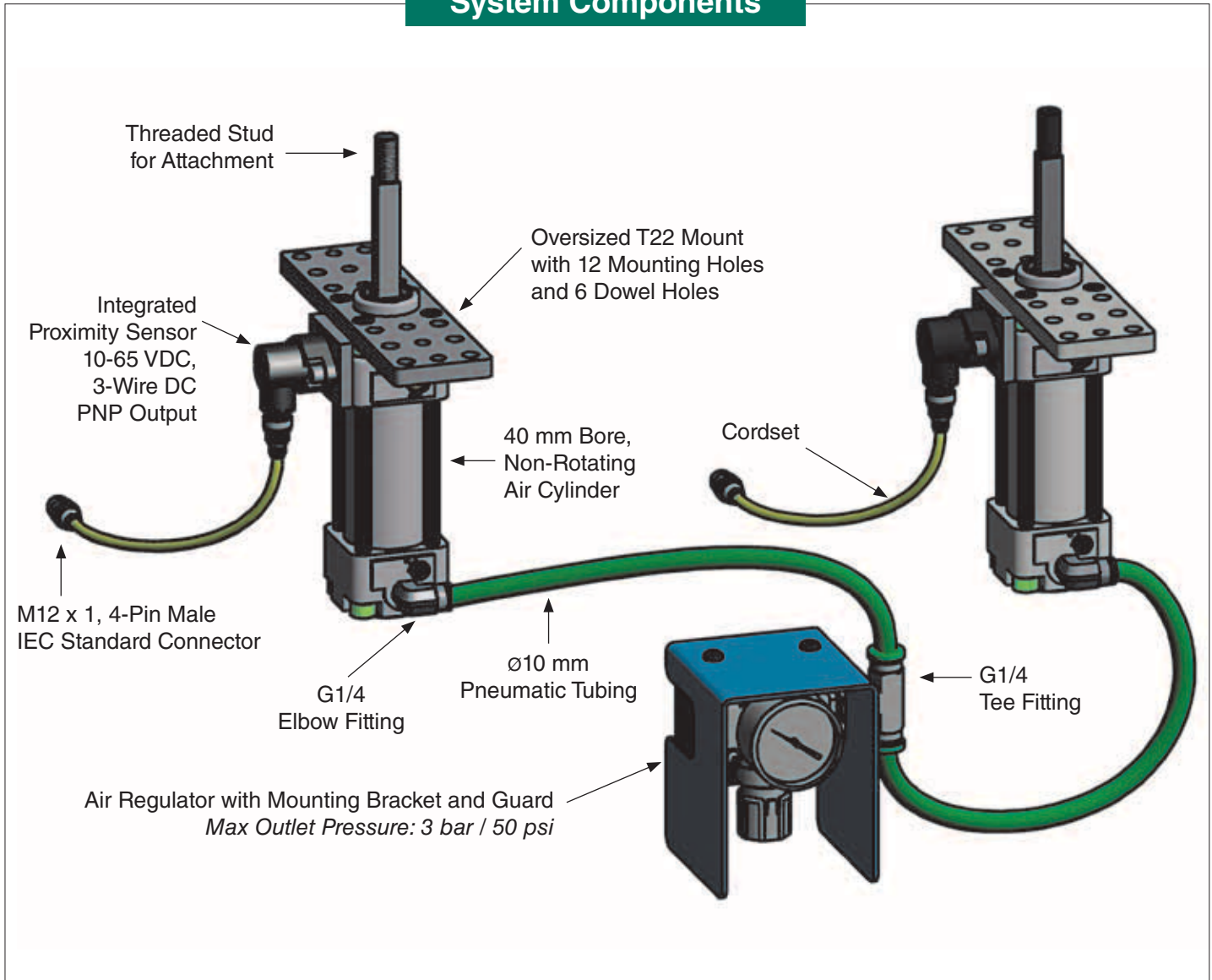


The HP Series Production System is designed to meet General Motors specifications, GM# N90.80.105. The system contains two DADCO Non-Rotating HP Air Cylinders, outfitted with proximity sensors and oversized mounts, connected to an air regulator.

### System Components



#### New Ordering Code:

**LP.HP.NY.C5.P6** Omit from order code to exclude cordsets and pneumatic tubing.

Includes Two Cylinder Assemblies, Air Regulator, Two Cordsets (5 m) and Pneumatic Tubing (6 m). Components are disassembled for shipping, refer to page 2 for individual component part numbers and information on installation.

Previous Ordering Code: LP.HP.NY.E10E.40.25.T22

### Operating Specifications

<b>Charging Medium:</b>	Air	<b>System Pressure Range:</b>	0-3 bar (0-50 psi)
<b>Temperature:</b>	-20°C – 70°C (-4°F – 158°F)	<b>Max. Speed (HP.N):</b>	0.2 m/sec. (0.66 ft/sec.)

## System Components

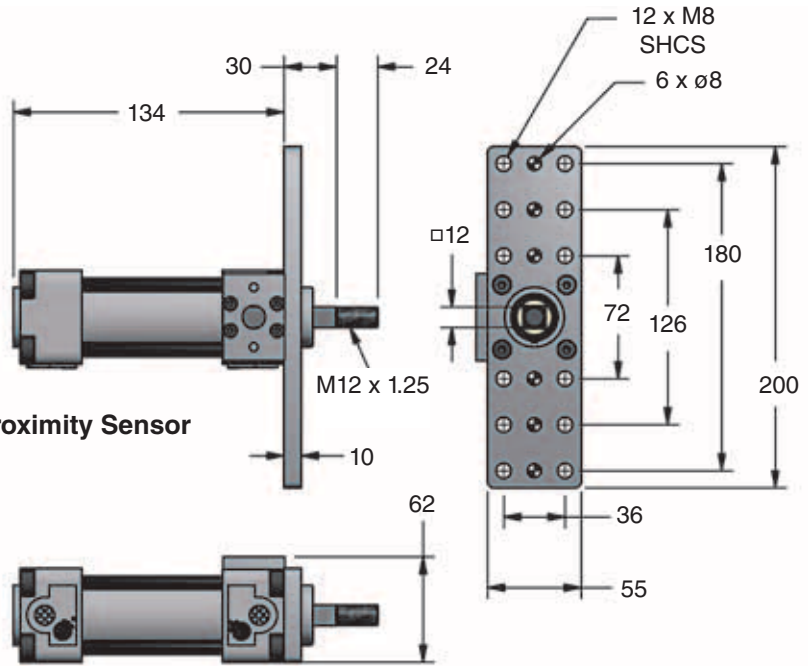
Components are disconnected for shipment to facilitate installation into the die. Install the Air Cylinders using the attached T22 Mount and mount the Air Regulator with the Mounting Bracket (see dimensions below). Insert the Pneumatic Tubing into the G 1/4 Fittings on both the Air Regulator and the Air Cylinders. When connections are completed, fasten the electrical cordsets to the proximity sensors and connect them to the press controller.

### HP.NY.S10E.40.25.F.4.T22 – Cylinder with T22 Mount, Sensor and Fitting

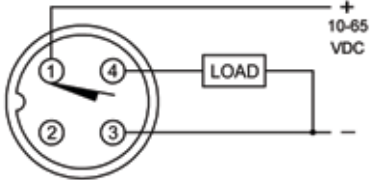
*S* = Sensor, to order prepped without sensor specify *E* in order code.  
*E* = Fitting, to order without fitting specify *G* in order code.



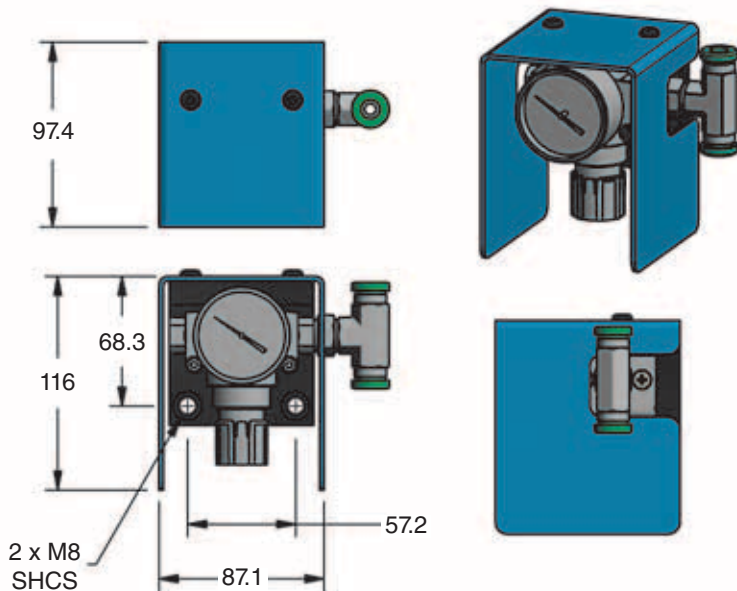
IQ543787 – Proximity Sensor



#### Sensor Pinout Diagram



### HPAR.N.T – Air Regulator with Mounting Bracket and Guard



### IZ543787 – Cordset

5 meter cordset.



### IZ873357 – Pneumatic Tubing

Specify length.

