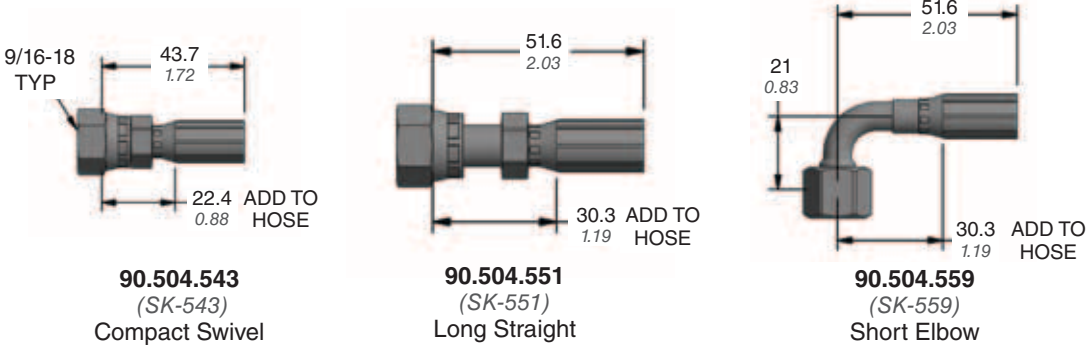


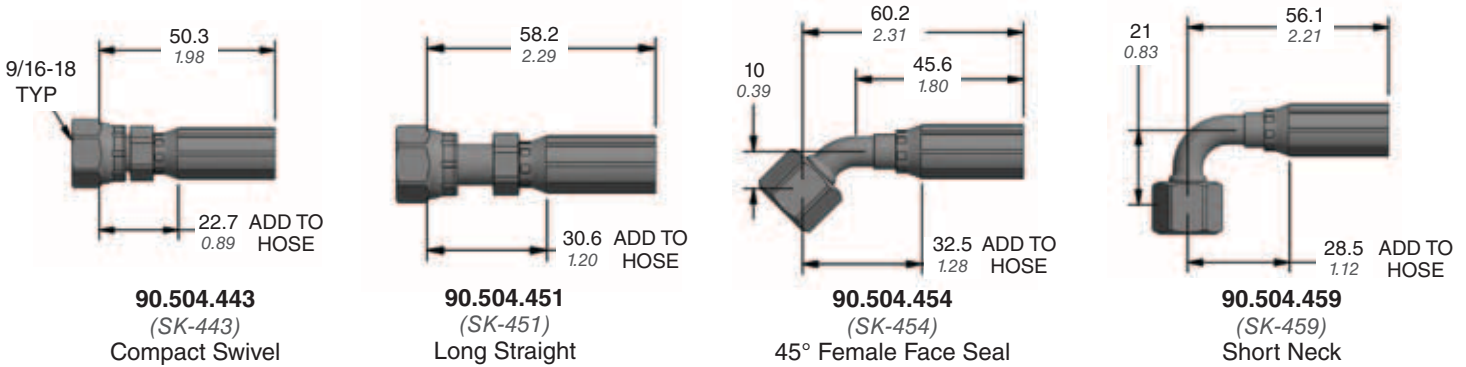
Compact ORFS Hose Adapters

DADCO offers compact O-ring Face Seal (ORFS) hose adapters with a 9/16-18 thread and elastomeric seals at each joint to prevent loss of high pressure nitrogen gas. These hose adapters are more compact than the 90.504.700 and 90.504.800 series fittings, but are compatible with the fittings used with these series. DADCO recommends using DADCO brand hoses with the adapters shown in this bulletin when linking DADCO nitrogen gas springs. Reference the Linked Systems Catalog for additional information on all the hose and fittings offered by DADCO.

Compact Hose Adapters for 90.500 hose (Y-500)



Compact Hose Adapters for 90.400 hose (Y-400)



Hose Assembly

A DADCO hose assembly consists of a length of hose with a hose adapter on each end. Use DADCO's Portable Crimping Unit with appropriate crimp die and die ring to create permanent hose assemblies. For more information, request bulletin B04112B.

| DADCO Hose | OD | ID | Working Pressure | Burst Pressure | Bend Radius | Crimp Die | Crimp Diameter mm inch |
|-------------------|-----------|------------|---------------------|-----------------------|-------------|----------------------------------|------------------------------|
| 90.500 (Y-500) | 11 .43 | 5 .19 | 345 bar 5000 psi | 1380 bar 20000 psi | 38 1.50 | 80C-P03 Gray Die 82C-R01 Ring | 12.19 – 12.70 .480 – .500 |
| 90.400 (Y-400) | 13 .51 | 6.5 .25 | 345 bar 5000 psi | 1380 bar 20000 psi | 50 1.97 | 80C-P04 Red Die 82C-R01 Ring | 14.22 – 14.73 .560 – .580 |

Hose Assembly Ordering Example:

90.500. SK543. SK559. 600. I

Hose Type
(90.500 or 90.400)

Hose Adapters

| Sealing Type | Example |
|--------------|---------|
| Compact ORFS | SK |

Orientation
Hose adapter orientation:
I, C or S

Length of Hose Assembly (L) in mm
Distance between sealing faces

Orientation

