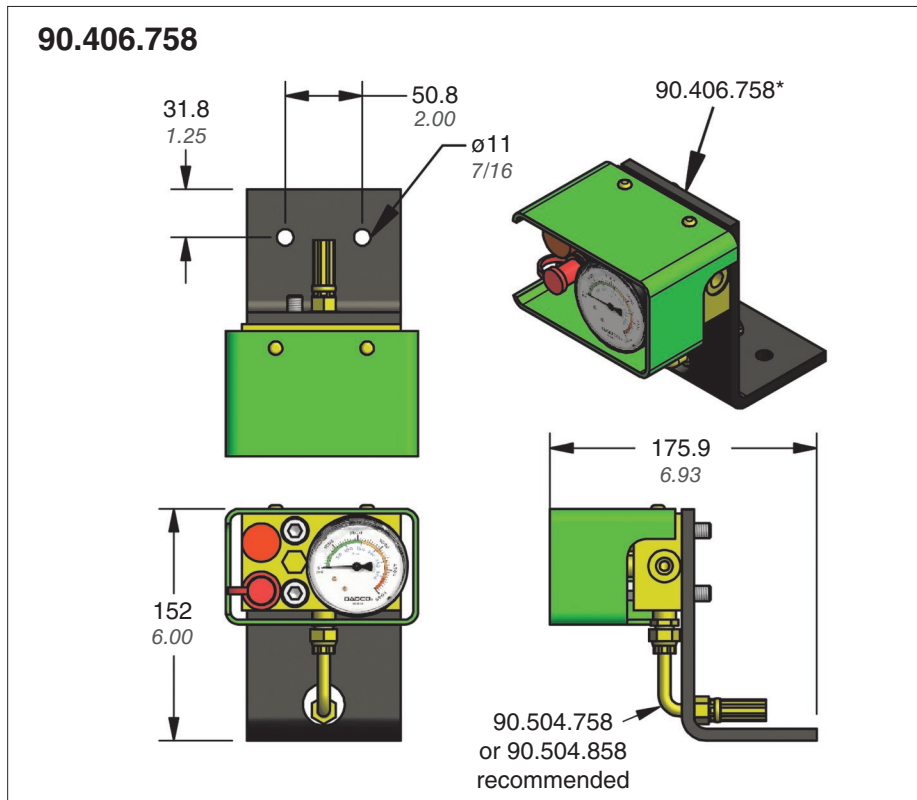
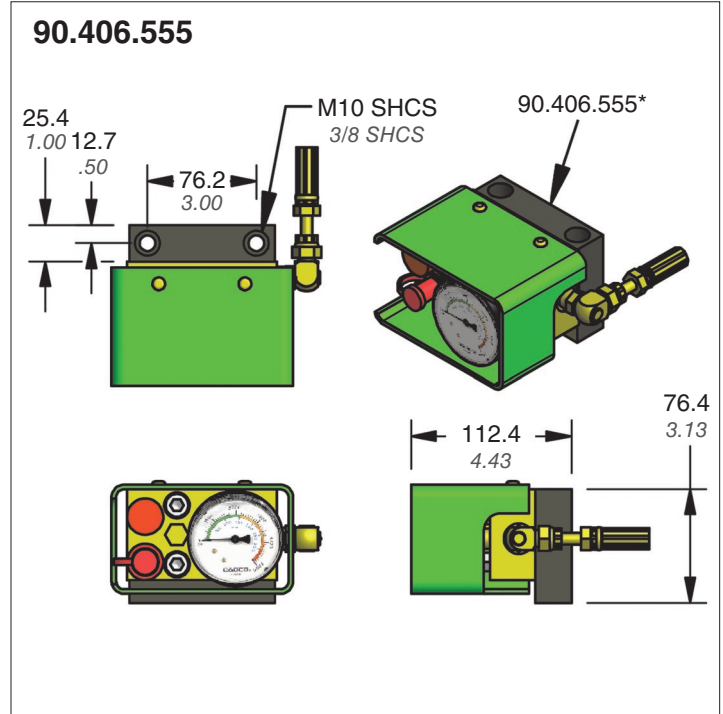
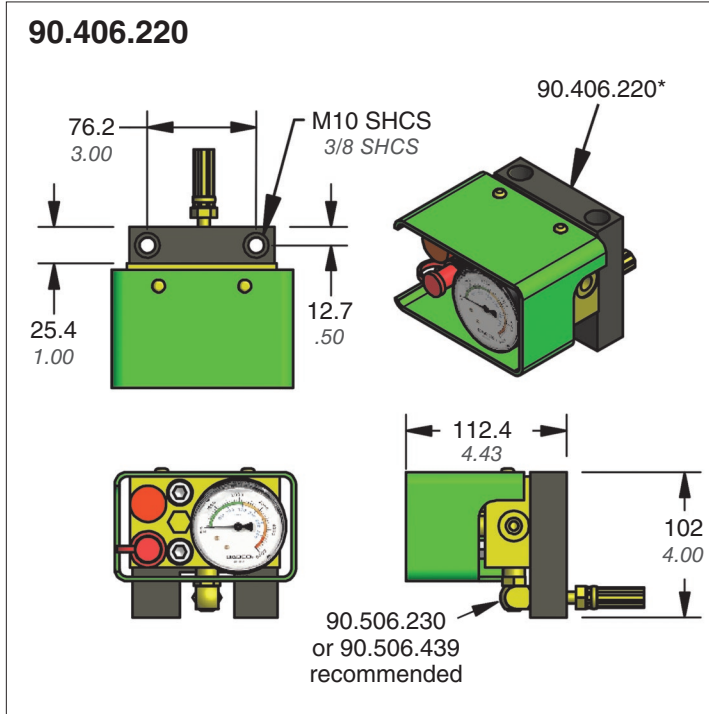


## Riser Blocks

DADCO offers three different riser blocks for use with the DADCO Common Control Panel (90.406.3) for maximum mounting versatility. The DADCO Common Control Panel is used to fill, drain, and monitor the pressure of linked DADCO Nitrogen Gas Springs. Riser Blocks allow for easy mounting of the Common Control Panel to SMS assemblies.



90.406.03 DADCO Common Control Panel



\*Control Panel Sold Separately