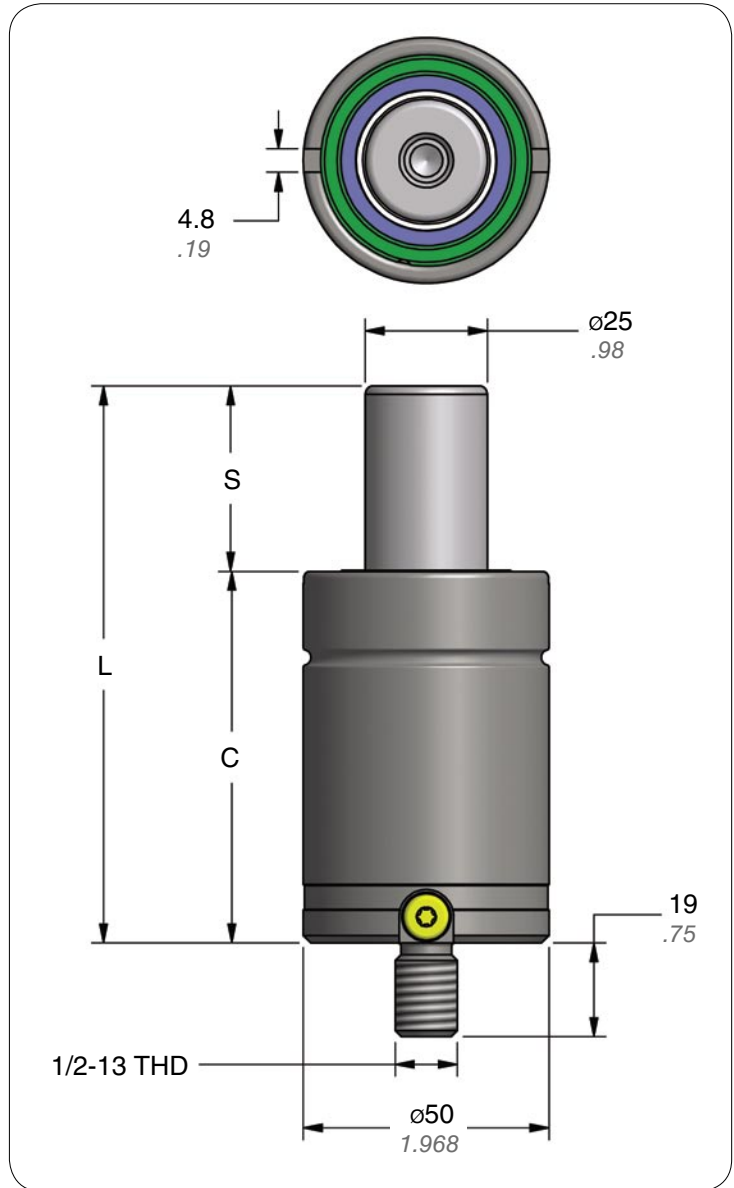


Mini Nitrogen Gas Springs

LJ.750.TC1 – 3/4 ton

DADCO offers the permanent TC1 stud mount for select size LJ.750 gas springs. Refer to the LJ Catalog #C01114C for other available mounts.



PART NO.	S	C	L
	mm inch	± 0.05 ± .002	± 0.25 ± .010
LJ.750.019	18.8 0.74	56.8 2.236	75.6 2.976
• LJ.750.025	25 0.98	63 2.480	88 3.465
• LJ.750.038	37.5 1.48	75.5 2.972	113 4.449
• LJ.750.050	50 1.97	88 3.465	138 5.433
LJ.750.063	62.5 2.46	100.5 3.957	163 6.417
LJ.750.075	75 2.95	113 4.449	188 7.402
LJ.750.100	100 3.94	138 5.433	238 9.370
LJ.750.125	125 4.92	163 6.417	288 11.339

• Preferred Sizes

Ordering Example:

LJ.750.025. TC1. 150

Part Number: _____
Includes Series, Model, and Stroke length.

Charging Pressure: _____
15-150 bar (200-2175 psi). *When not specified, default is 150 bar.*

Mount Option: TC1