

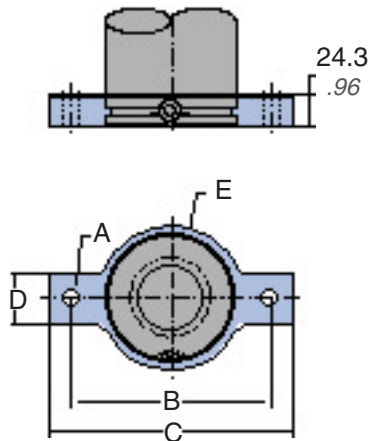
# Large Gas Spring Mount Option

## B14 / 90.14 – Attachable Flange TF

DADCO's Attachable Flange TF serves as a direct replacement for the discontinued welded TF mount. This mount can be used with the 90.10 and 90.5B Series for the 00750 – 05000 models.



Ring piece slides down over gas spring to rest on the mounting brackets.



|   | 00750         | 01500          | 03000          | 05000          |
|---|---------------|----------------|----------------|----------------|
| A | M10<br>3/8    | M12<br>1/2     | M12<br>1/2     | M12<br>1/2     |
| B | 88.9<br>3.500 | 120.6<br>4.750 | 146<br>5.750   | 165.1<br>6.500 |
| C | 108<br>4.25   | 152.4<br>6.00  | 177.8<br>7.00  | 196.8<br>7.75  |
| D | 31.7<br>1.25  | 38.1<br>1.50   | 38.1<br>1.50   | 38.1<br>1.50   |
| E | ø61<br>2.40   | ø85.8<br>3.38  | ø105.9<br>4.17 | ø131.1<br>5.16 |

### Ordering Example:

Cylinder with Mount: **90.10.01500.025.B14.C.150**

Part Number \_\_\_\_\_ Charging Pressure

Mount \_\_\_\_\_ Operating System

Mount Only: **90.14.**\_\_\_\_ (model)

B01136