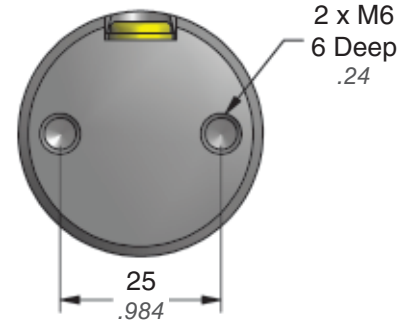


TO - Basic Model
(for new designs)



TP - Model with Two Mounting Holes
(for retrofit only)

| Part No. | S mm inch | C | L ±0.25 ±0.010 |
|--------------|-----------------|--------------|----------------------|
| U.0600.010 | 10 0.39 | 40 1.57 | 50 1.969 |
| • U.0600.013 | 12.5 0.49 | 42.5 1.67 | 55 2.165 |
| U.0600.015 | 15 0.59 | 45 1.77 | 60 2.362 |
| U.0600.019 | 19 0.75 | 49 1.93 | 68 2.677 |
| • U.0600.025 | 25 0.98 | 55 2.17 | 80 3.150 |
| U.0600.032 | 32 1.26 | 62 2.44 | 94 3.701 |
| • U.0600.038 | 37.5 1.48 | 67.5 2.66 | 105 4.134 |
| • U.0600.050 | 50 1.97 | 80 3.15 | 130 5.118 |
| U.0600.063 | 62.5 2.46 | 92.5 3.64 | 155 6.102 |
| U.0600.075 | 75 2.95 | 105 4.13 | 180 7.087 |
| • U.0600.080 | 80 3.15 | 110 4.33 | 190 7.480 |
| U.0600.100 | 100 3.94 | 130 5.12 | 230 9.055 |
| U.0600.125 | 125 4.92 | 155 6.10 | 280 11.024 |

• Preferred Sizes

Ordering Example:

U.0600.025. TO. C. 150

Part Number:

Includes Series, Model and Stroke Length.

Mount Option:

TO = Basic Model, TP = Model with two M6 mounting holes. *When not specified, default is TO.*

Refer to page 2 for additional mount options.

Charging Pressure:

15–150 bar (200–2175 psi).

When not specified, default is 150 bar.

Operating System: C = Self-contained,

F = Open Flow Fitting. *When not*

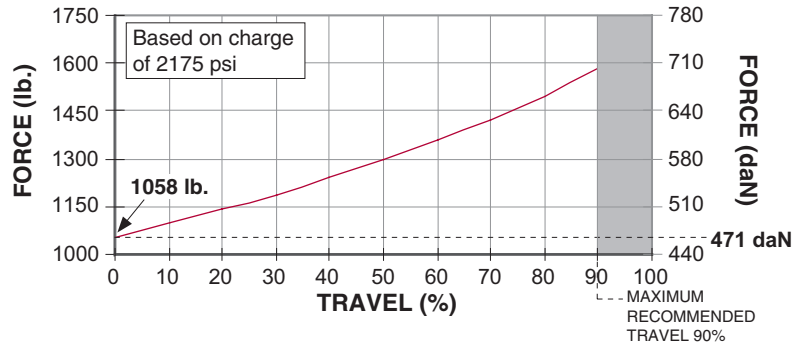
specified, default is C, self-contained.

U.0600 — 0.5 ton / 5 kN

U.0600 Force Charts

On-Contact Force

| psi | lb. |
|------|------|
| 2175 | 1058 |
| 2000 | 973 |
| 1750 | 851 |
| 1500 | 730 |
| 1000 | 486 |
| 500 | 243 |
| 250 | 122 |



On-Contact Force

| bar | daN |
|-----|-----|
| 150 | 471 |
| 125 | 392 |
| 100 | 314 |
| 75 | 235 |
| 50 | 157 |
| 25 | 78 |
| 20 | 63 |

Mount Options

B312 **90.312.00300**

4 x M6 SHCS 1/4

7 .28

B19 **90.19.00300**

2 x M8 SHCS 5/16

SLIDE MOUNT INTO DESIRED POSITION AND LOCK

B21 **90.21.00300**

ø56 BOLT CIRCLE 2.205

4 x M6 SHCS 1/4

9 .35

17 .67

Split Wire Ring Included 90.55.3.300

SECURE MOUNT ONTO TOP GROOVE WITH SUPPLIED RING AND SCREWS

B25 **90.25.00300**

4 x M6 SHCS 1/4 SHCS

9 .35

17 .67

Split Wire Ring Included 90.55.3.300

SECURE MOUNT ONTO TOP GROOVE WITH SUPPLIED RING AND SCREWS

Ordering Example:

Cylinder Only: U.0600.025.TO.C.150

Mount Only: 90.312.00300