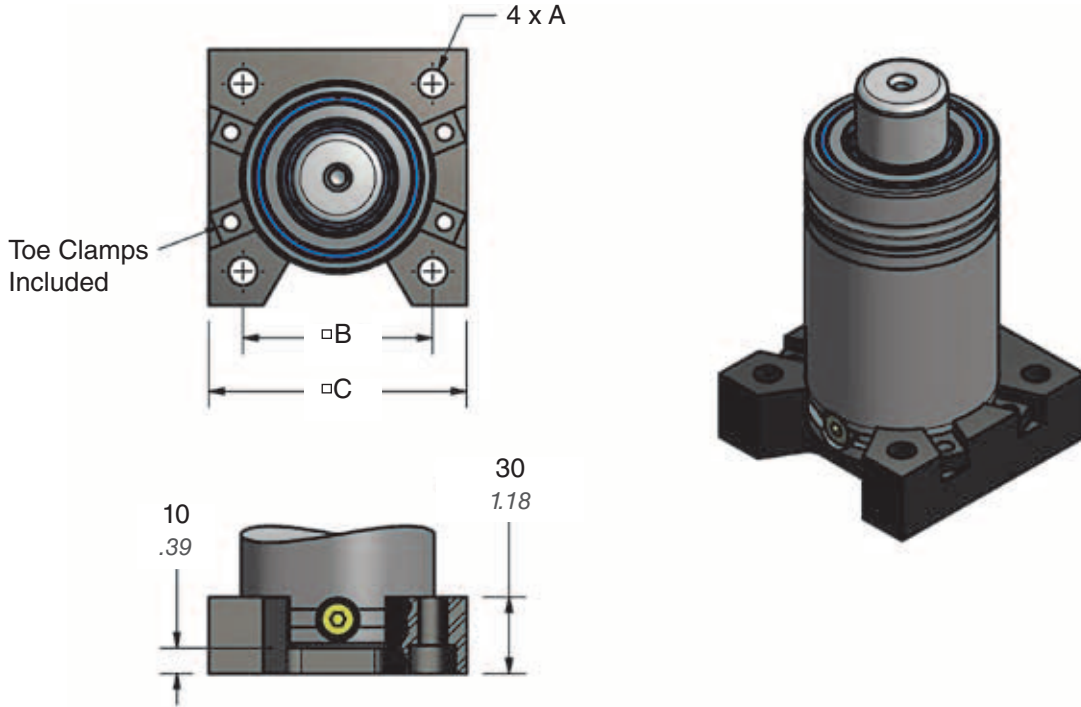


Large Gas Spring Mount Option

B31 / 90.31 – Attachable Mount

DADCO's B31 / 90.31 mount is an attachable version of the welded TSW mount. The footprint and bolt hole dimensions of both mounts are an exact match. The B31 / 90.31 mount may be used with DADCO's 90.10 series, 90.10RX series, 90.10DS series, U series, and UX Series Gas Springs. This product is consistent with the Ford Motor Company Die Design Standards Square Flange Mount "RM".



	90.31	00750	01500	01600	03000	05000	07500
Can Diameter	ø50	ø75	ø63	ø95	ø120	ø150	
A	M10	M10	M10	M12	M12	M16	
B	56.5 2.224	73.5 2.894	73.5 2.894	92 3.622	109.5 4.311	138 5.433	
C	80 3.15	100 3.94	100 3.94	120 4.72	140 5.51	190 7.48	
Toe Clamps	3	4	4	4	4	4	

Mount Only Ordering Example: 90.31.01500

Cylinder with Mount Ordering Example:

Series: 90.10. 1500. 025. B31. C. 150
 90.10 (WDX358032),
 90.10RX (WDX358038),
 90.10DS (WDX358048),
 U (WDX358041),
 UX
Model: (availability varies by series)
 00750, 1000, 1500, 1600, 2600
 3000, 4600, 5000, 6600, 7500, 9600
Stroke Length: _____

Charging Pressure:
 15-150 (220-2175 psi). When not specified, default is 150 bar.

Operating System:
 C = Self-Contained, F = Open Flow Fitting. When not specified, default is C, self-contained.

Mount Option:
 B31. Mounts ordered with cylinder are attached at factory.

B06160A