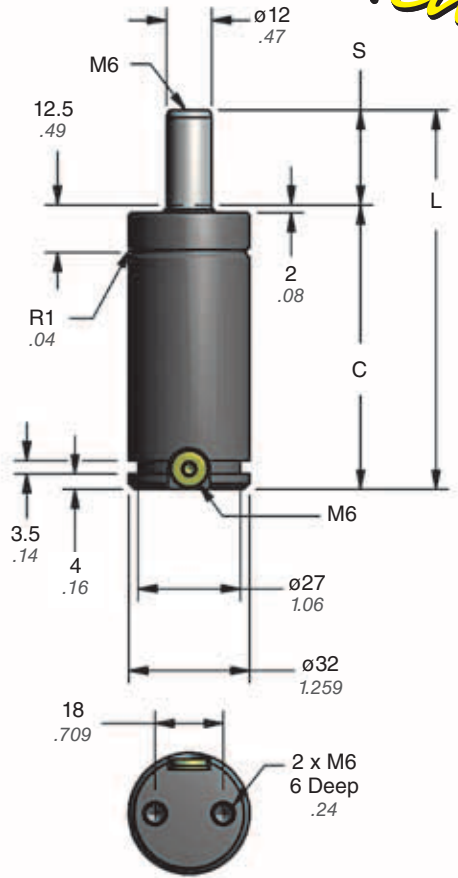


Full Height Nitrogen Gas Springs

90.10.00170 – 170 daN / 0.17 ton

The 90.10.00170 is a full height gas spring with the same envelope as ISO, European (VDI) and automotive standards. The newest addition to the popular 90.10 Series, this gas spring operates self-contained or linked and has multiple attachable mount options.

New!



TO – Basic Model

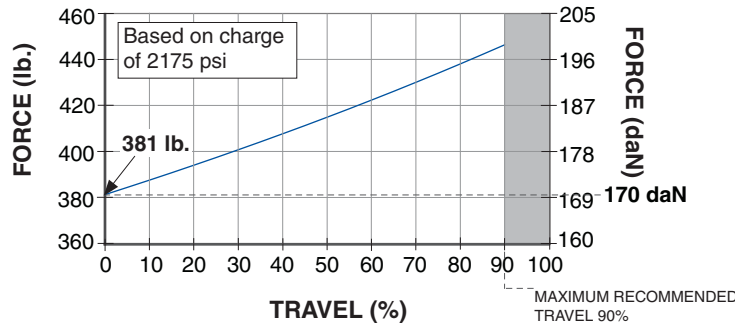
90.10.00170			
Part No.	S mm inch	C	L ±0.25 ±.010
90.10.00170.010	10 0.39	60 2.36	70 2.756
90.10.00170.013	12.7 0.50	62.7 2.47	75.4 2.969
90.10.00170.016	16 0.63	66 2.60	82 3.228
• 90.10.00170.025	25 0.98	75 2.95	100 3.937
90.10.00170.038	38 1.50	88 3.46	126 4.961
• 90.10.00170.050	50 1.97	100 3.94	150 5.906
90.10.00170.063	63.5 2.50	113.5 4.47	177 6.969
• 90.10.00170.080	80 3.15	130 5.12	210 8.268
90.10.00170.100	100 3.94	150 5.91	250 9.843
90.10.00170.125	125 4.92	175 6.89	300 11.811

• Preferred Sizes

Force Charts

On-Contact Force

psi	lb.
2175	381
2000	351
1750	307
1500	263
1000	175
500	88
250	44



On-Contact Force

bar	daN
150	170
125	141
100	113
75	85
50	57
25	40
20	23

Ordering Example:

90.10.00170.025. TO. C. 150

Part Number: Includes Series (90.10), Model and Stroke Length.

Mount Option: TO = Basic Model. *When not specified, default is TO.* Mounts ordered with cylinder will be attached at the factory.

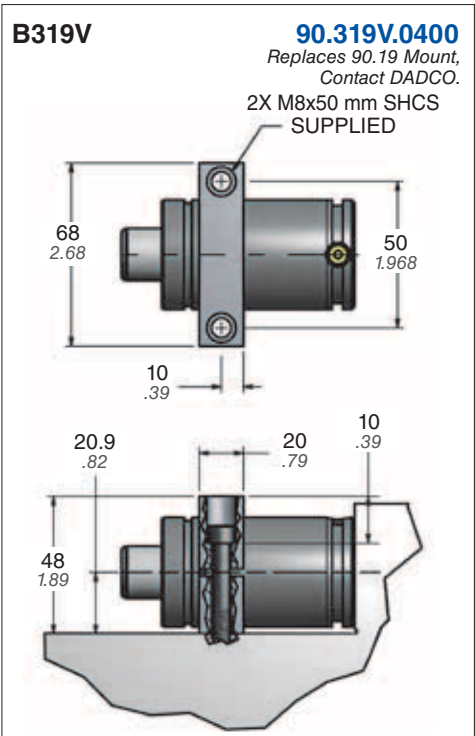
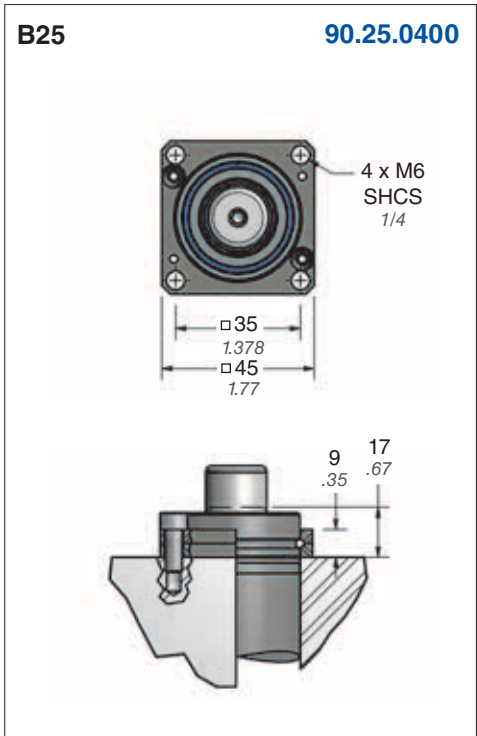
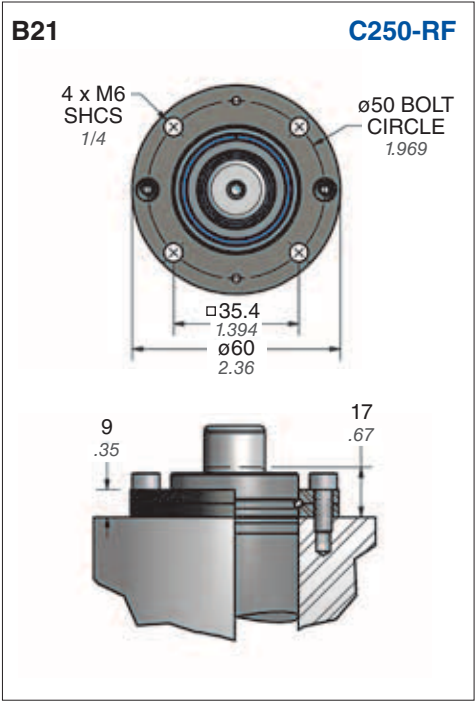
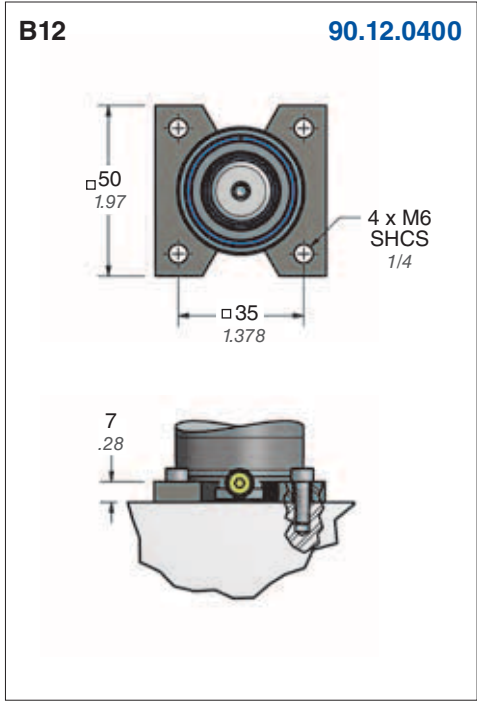
Charging Pressure: 15-150 bar (220-2175 psi). *When not specified, default is 150 bar.*

Operating System: C = Self-contained, F = Open Flow Fitting. *When not specified, default is C, self-contained.*

B14113

90.10.00170 Mounts

Full Height Nitrogen Gas Springs



Ordering Example: Cylinder with Mount: 90.10.00170.025.B21.C.150 **Mount Only:** C250-RF