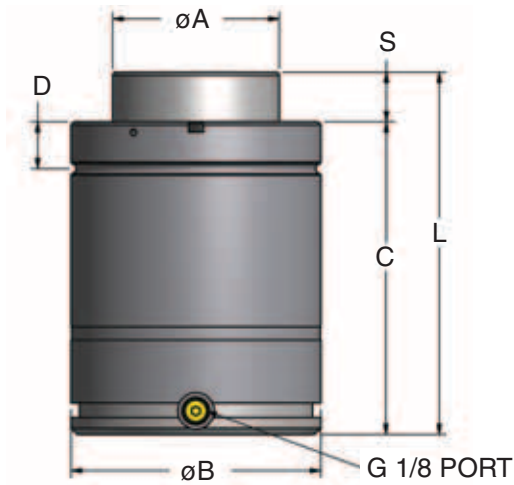


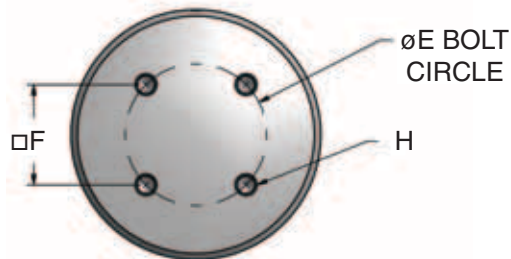
# Super Compact Nitrogen Gas Springs

## SCLW Super Compact for Linked Applications

The SCLW option provides an integral G 1/8 side port to facilitate linked operation of SC 07500, 11800 and 18300 model sizes with 25-50 mm stroke lengths. For additional information refer to the SC Series catalog.



Model	SCLW.07500	SCLW.11800	SCLW.18300
On-Contact Force at 150 bar	7539 daN	11780 daN	18407 daN
A	63	80	100
B	95	120	150
D	21	22.5	24.5
E	52	68	90
F	36.8	48.1	63.6
H	4 x M8 12 DEEP	4 x M10 16 DEEP	4 x M10 17 DEEP



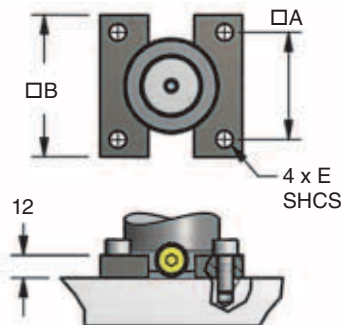
TO – Basic Mount

Part No.	S mm	07500		11800		18300	
		C	L ±0.25	C	L ±0.25	C	L ±0.25
SCLW.____.025	25	140	165	150	175	160	185
SCLW.____.032	32	170	202	175	207	185	217
SCLW.____.040	40	190	230	200	240	215	255
SCLW.____.050	50	225	275	230	280	240	290

### Mount Option

#### Split Flange Plate

BSL.\_\_\_\_



Part No.	Model	A	B	E
BSL.075	07500	92	120	M12
BSL.118	11800	109.5	140	M12
BSL.183	18300	138	190	M16

### Ordering Example:

**SCLW.11800.25. TO. C. 150**

**Part Number:** \_\_\_\_\_  
Includes Series, Model and Stroke Length.

**Mount Option:** \_\_\_\_\_  
TO = Basic Model, BSL = Split Flange Plate  
When not specified, default is TO.

**Charging Pressure:**  
15 – 150 bar (220 – 2175 psi).  
When not specified, default is 150 bar.  
**Operating System:** C = Self-contained,  
F = Open Flow Fitting. When not  
specified, default is C, self-contained.

### Operating Specifications:

Charging Medium:	Nitrogen Gas	Operating Temperature:	4°C – 71°C (40°F – 160°F)
Maximum Speed:	1.6 m/sec (63 in/sec)	Maximum Charging Pressure:	15 – 150 bar (220 – 2175 psi)