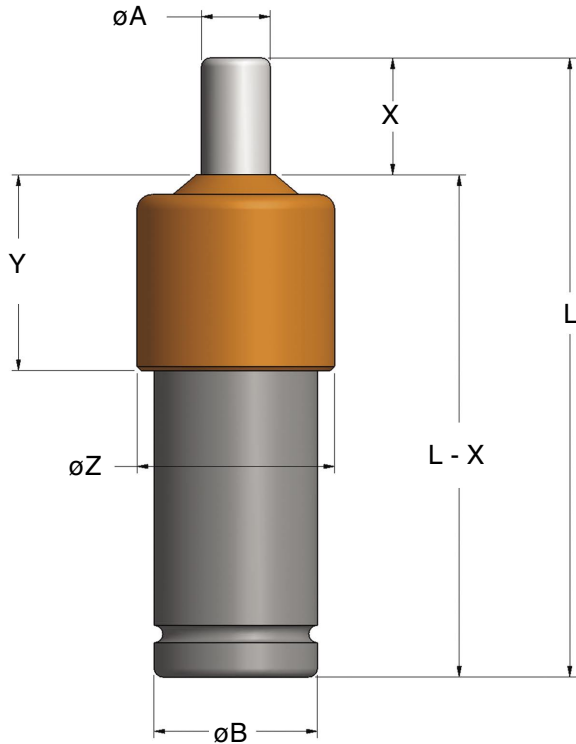


DADCO offers several accessories to customers using DADCO's Micro Series Nitrogen Gas Springs. These options are designed for special applications and help to ensure the proper operation and long life of DADCO's Micro Series Nitrogen Gas Springs.

Wiper Cap

For customers with applications where aggressive draw die compound is used, DADCO offers the Micro Wiper Cap. The wiper cap can be ordered for any of the Micro Series Gas Springs (C.045, C.090, C.180 or C.250) and is available in a variety of materials to guard against draw die contamination. The wiper caps may be ordered as an option and are installed at the factory.



Model	X	Y	Z	A	B
C.045	Stroke - 0.6 Stroke - .023	22 .87	15 .59	6 .24	12 .472
C.090	Stroke - 1.4 Stroke - .056	23 .91	23 .91	8 .31	19 .748
C.180	Stroke - 1.4 Stroke - .056	23 .91	28.5 1.12	12 .47	25 .984
C.250	Stroke - 4.0 Stroke - .156	25.4 1.00	36 1.42	15 .59	32 1.260

Part No.	Stroke mm inch	L ± 0.4 ± 0.015
C.(model).007	07 .28	56 2.205
C.___.010	10 .39	62 2.441
C.___.013	12.7 .50	67.4 2.654
C.___.015	15 .59	72 2.835
C.___.025	25 .98	92 3.622
C.___.038	38 1.50	118 4.646
C.___.050	50 1.97	142 5.591
C.___.063	63.5 2.50	172 6.772
C.___.080	80 3.15	205 8.071
C.___.100	100 3.94	245 9.646
C.___.125	125 4.92	295 11.614

Ordering Example:

C.045.007.GR.VC

Part Number

Includes Series, Model and Stroke Length

Force

YW, RD, BU, GR

BK – Black adjustable model - specify pressure.

Adjustable Model Ordering Example: C.045.007.BK.150.VC

Wiper Cap Option:

Material Type

UC - Urethane, VC - Fluoroelastomer,

WC - Buna, XC - EPDM

Contact DADCO for assistance determining which Wiper Cap material is right for your application.

B03102A

