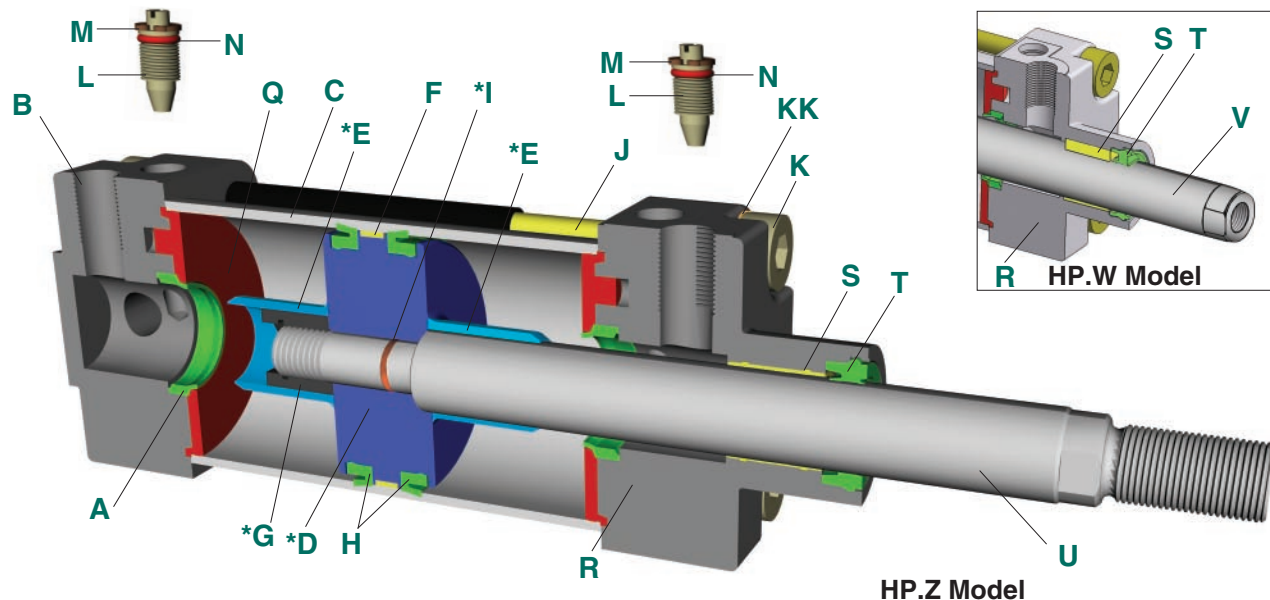


ø160 - ø250 Parts List



Parts List	Quantity Required	ø160	ø200	ø250
A Cushion Seal	2	IV470955	IV470955	IY470958
B Rear Head	1	IW600217	IX600218	IY600219
C Tube	1	IW05Z__	IX05M__	IY05M__
F Guide Tape	1	IW41V270	IX41V271	IY41V272
H Piston Seal	2	IW480976	IX480977	IY480978
J Tie Rod	4	IW75M__	IX75M__	IY75M__
K Tie Rod Nut	8	IW852207	IW852207	IY852208
<i>Torque Value</i>		<i>115 lbs.ft</i>	<i>115 lbs.ft</i>	<i>185 lbs.ft</i>
KK Tie Rod Washer	8	IW85V137	IW85V137	IY85V138
L Regulating Screw	2	IW502247	IW502247	IY502249
M Retaining Ring	2	IW857283	IW857283	IY52V007
N Adj. Screw O-Ring	2	IW450986	IW450986	IY450988
Q Dampening Washer	2	IW450867	IX450868	IY450869
R Front Head	1	IW600207	IX600208	IY600209
S Rod Bearing	1	IV400945	IV400945	IY400948
T Rod Seal/Wiper/Ring	1	IV47V234	IV47V234	IY47V235
HP.Z Model				
**U Piston Rod Assembly	1	IW00Z__	IX00Z__	IY00Z__
HP.W Model				
**V Piston Rod Assembly	1	IW00W__	IX00W__	IY00W__
Seal Kit <i>Contains A, H & T</i>		IW009187	IX009188	IY009189
Repair Kit <i>Contains A, H, S & T</i>		IW009197	IX009198	IY009199

* Not sold separately: Piston (D), Piston O-Ring (I), Piston Nut (G) and Cushion Spears (E).

** Includes D, I, G and E. When ordering, please note the stroke length in addition to the part number.