

SEAL-LOK Hose Adapters

Series 90.10, 90.5B, 90.9, 98.80 (SC)

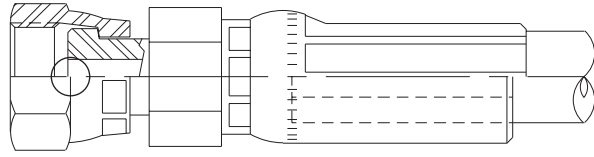
90.250/90.400 (Y-250/Y-400) PERMANENT HOSE ADAPTERS

Refer to the Hose Summary Chart for crimp die information.
Contact DADCO to order preassembled hose and adapters.

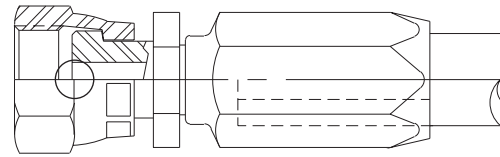
90.250 (Y-250) REUSABLE HOSE ADAPTERS

No crimping tools or dies are required for hose assembly. Use DADCO's Hose Assembly Clamp 90.320.6 (HAC) in a bench vise to aid in assembly. Request bulletin no. B00120B for more information.

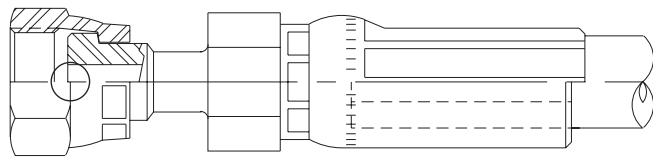
90.504.743
(S-743)
Compact Swivel Female Face Seal



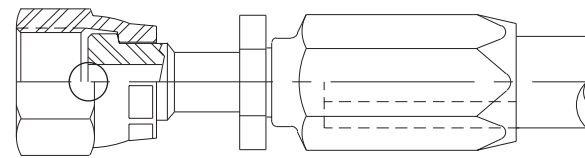
90.504.643
(S-643)
Compact Swivel Female Face Seal



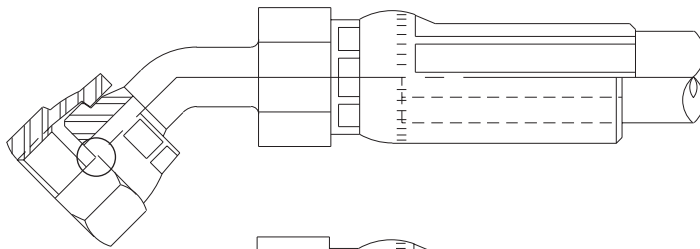
90.504.751
(S-751)
Retractable Swivel Female Face Seal



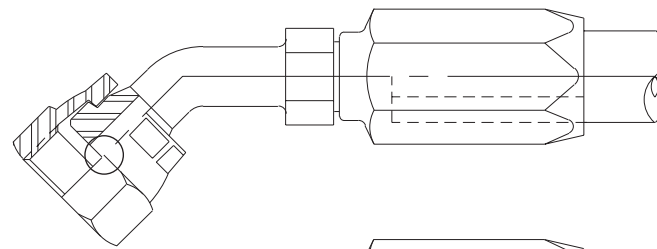
90.504.651
(S-651)
Retractable Swivel Female Face Seal



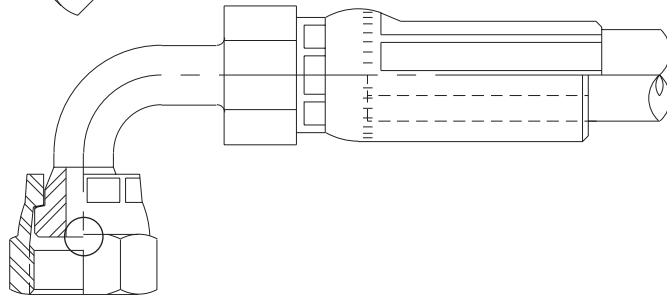
90.504.754
(S-754)
45° Female Face Seal



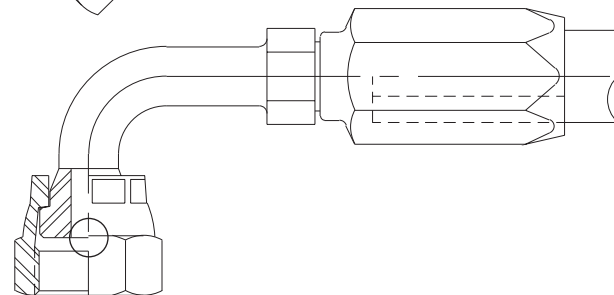
90.504.654
(S-654)
45° Female Face Seal



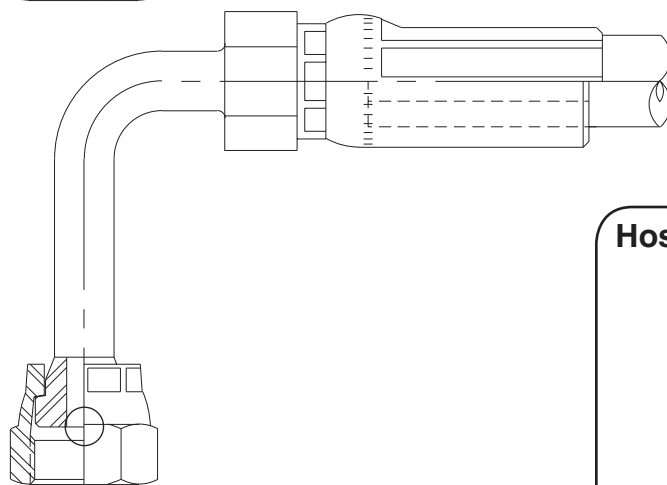
90.504.759
(S-759)
Short Neck 90° Female Face Seal



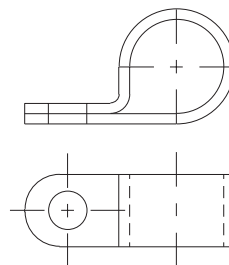
90.504.659
(S-659)
90° Female Face Seal



90.504.758
(S-758)
Long Neck 90° Female Face Seal



Hose Strap



90.504.250
(HS-250)

Use with DADCO's 90.250, 90.400 and 90.500 Hoses

Hose Strap

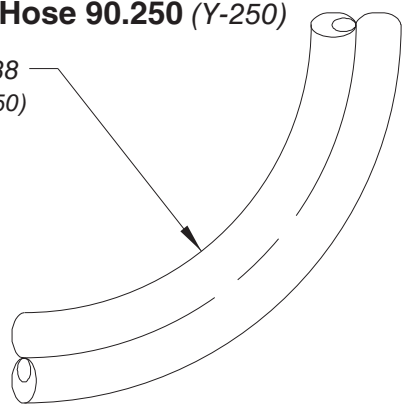
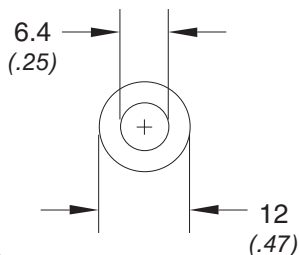


90.504.400

Use with DADCO's 90.250, 90.400 and 90.500 Hoses

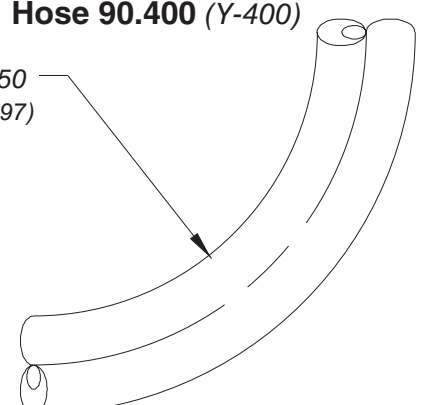
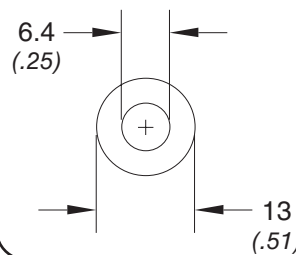
DADCOFLEX™ Hose 90.250 (Y-250)

Min. Bend Radius 38
(1.50)



DADCOFLEX™ Hose 90.400 (Y-400)

Min. Bend Radius 50
(1.97)



Hose Summary

	OD	ID	Working Pressure	Burst Pressure	Bend Radius	Crimp Die
90.250 (Y-250)	12 (0.47)	6.4 (0.25)	190 bar 2750 psi	758 bar 11000 psi	38 (1.50)	80C-P04J RED DIE 82C-R01 RING
90.400 (Y-400)	13 (0.51)	6.4 (0.25)	345 bar 5000 psi	1380 bar 20000 psi	50 (1.97)	80C-P04 RED DIE 82C-R01 RING

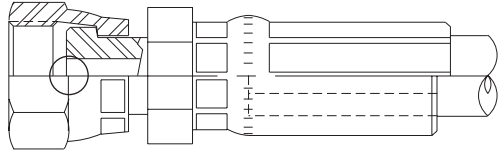
SEAL-LOK Hose Adapters (con't.)

Series 90.10, 90.5B, 90.9, 98.80 (SC)

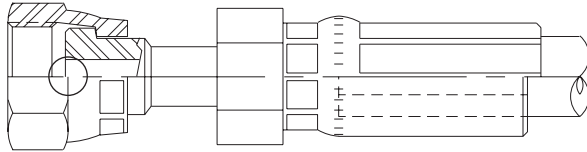
90.500 (Y-500) PERMANENT HOSE ADAPTERS

Refer to the Hose Summary Chart for crimp die information. Contact DADCO to order preassembled hose and adapters.

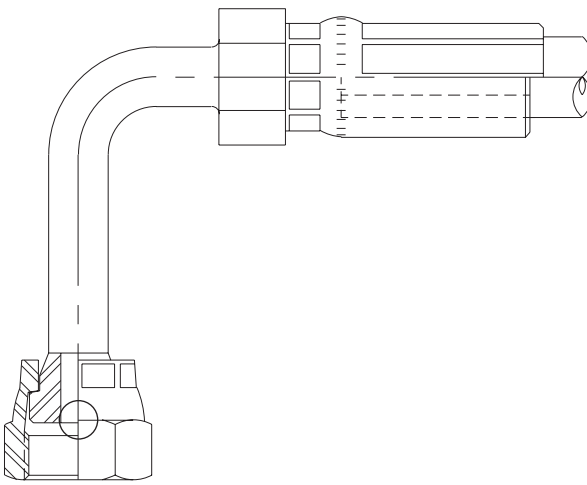
90.504.843
(S-843)
Compact Swivel Female Face Seal



90.504.851
(S-851)
Retractable Swivel Female Face Seal



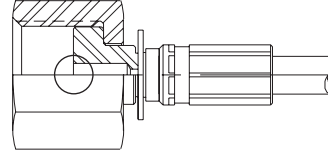
90.504.858
(S-858)
90° Swivel Female Face Seal



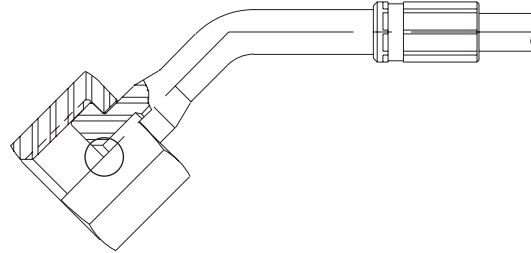
90.700 (Y-700) PERMANENT HOSE ADAPTERS

Refer to the Hose Summary Chart for crimp die information. Contact DADCO to order preassembled hose and adapters. Request bulletin no. B00106 for more information on the Mini-Crimp.

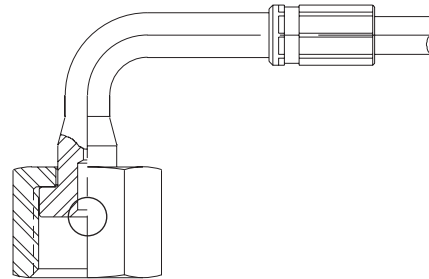
90.504.943
(S-943)
Straight Swivel Female Face Seal



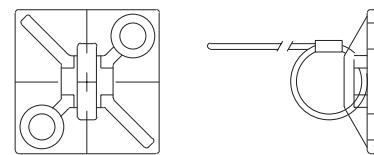
90.504.954
(S-954)
45° Swivel Female Face Seal



90.504.959
(S-959)
90° Swivel Female Face Seal



Hose Strap

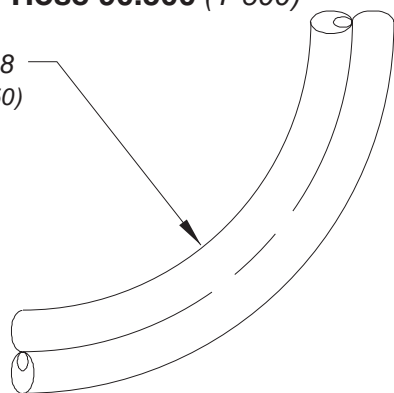
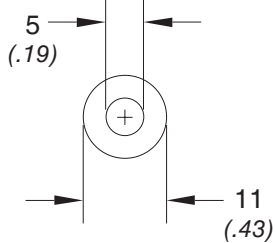


90.600.250
(L-250)

Permanent adhesive strap, affix to a clean surface.

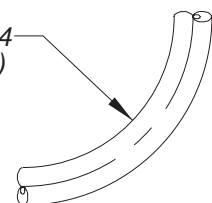
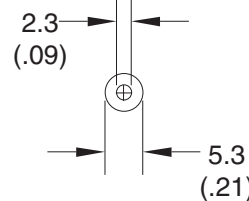
DADCOFLEX™ Hose 90.500 (Y-500)

Min. Bend Radius 38
(1.50)



DADCO MINIFLEX™ Hose 90.700 (Y-700)

Min. Bend Radius 6.4
(.25)

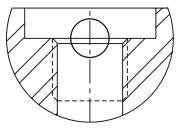


Hose Summary

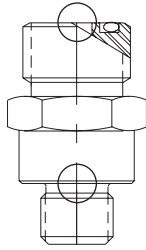
	OD	ID	Working Pressure	Burst Pressure	Bend Radius	Crimp Die
90.500 (Y-500)	11 (0.43)	5 (0.19)	345 bar 5000 psi	1380 bar 20000 psi	38 (1.50)	80C-P03 GRAY DIE 82C-R01 RING
90.700 (Y-700)	5.3 (0.21)	2.3 (0.09)	413 bar 6000 psi	1655 bar 24000 psi	6.4 (0.25)	MINI-CRIMP-90.710.1 (MC-1) NO RING REQUIRED

SEAL-LOK Port Adapters

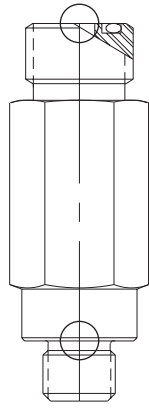
Series 90.10, 90.5B, 90.9, 98.80 (SC)



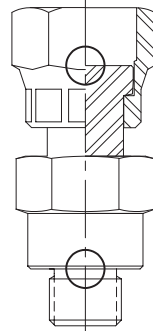
G 1/8
BSPP
Port



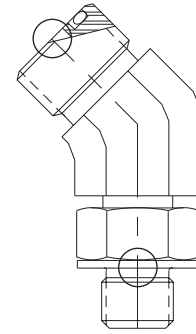
90.505.115
(S-115)
Straight



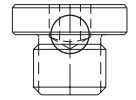
90.505.117
(S-117)
Extended
Straight



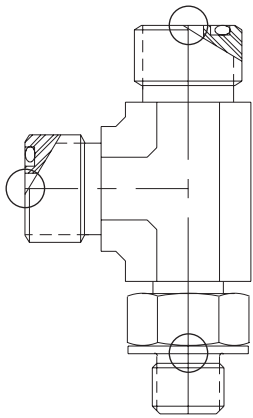
90.505.121
(S-121)
Swivel
Straight



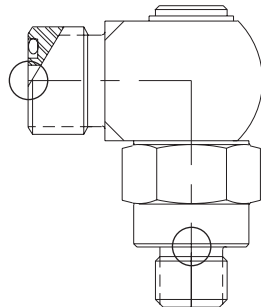
90.505.330
(S-330)
45° Elbow



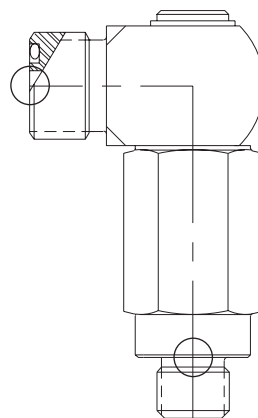
90.505.110
(G-109)
Flush Plug



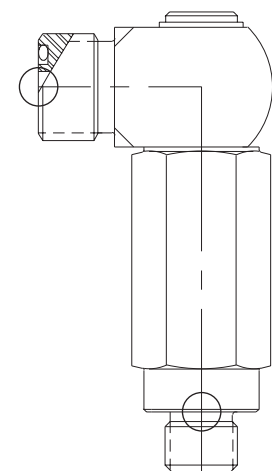
90.505.438
(S-438)
Run Tee



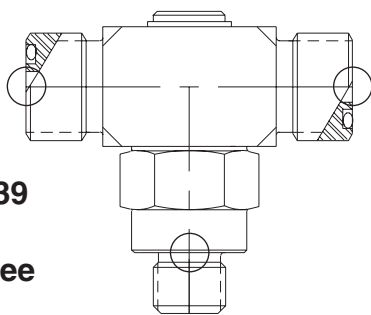
90.506.230
(S-230)
Angle Swivel
Adapter



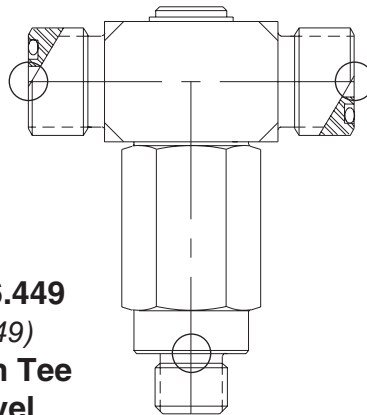
90.506.240
(S-240)
Angle Swivel
Adapter



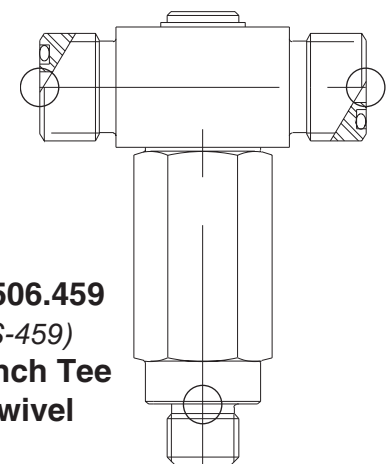
90.506.250
(S-250)
Angle Swivel
Adapter



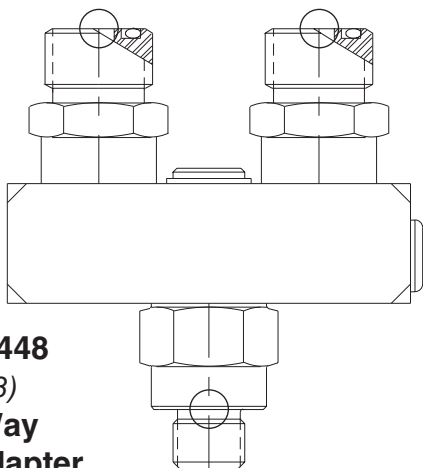
90.506.439
(S-439)
Branch Tee
Swivel



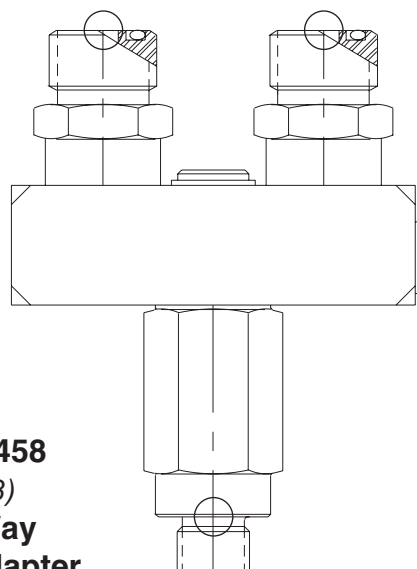
90.506.449
(S-449)
Branch Tee
Swivel



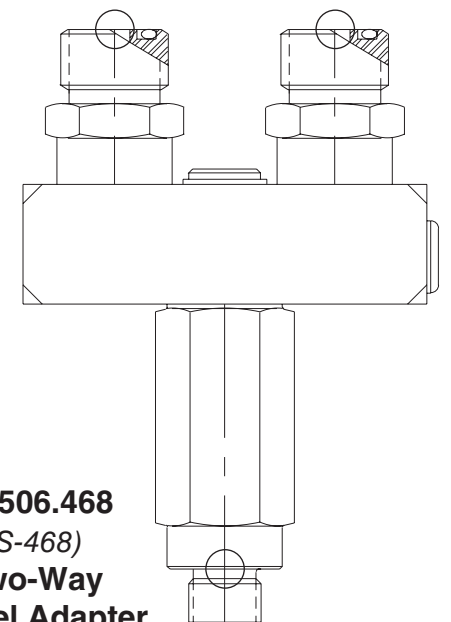
90.506.459
(S-459)
Branch Tee
Swivel



90.506.448
(S-448)
Two-Way
Swivel Adapter



90.506.458
(S-458)
Two-Way
Swivel Adapter



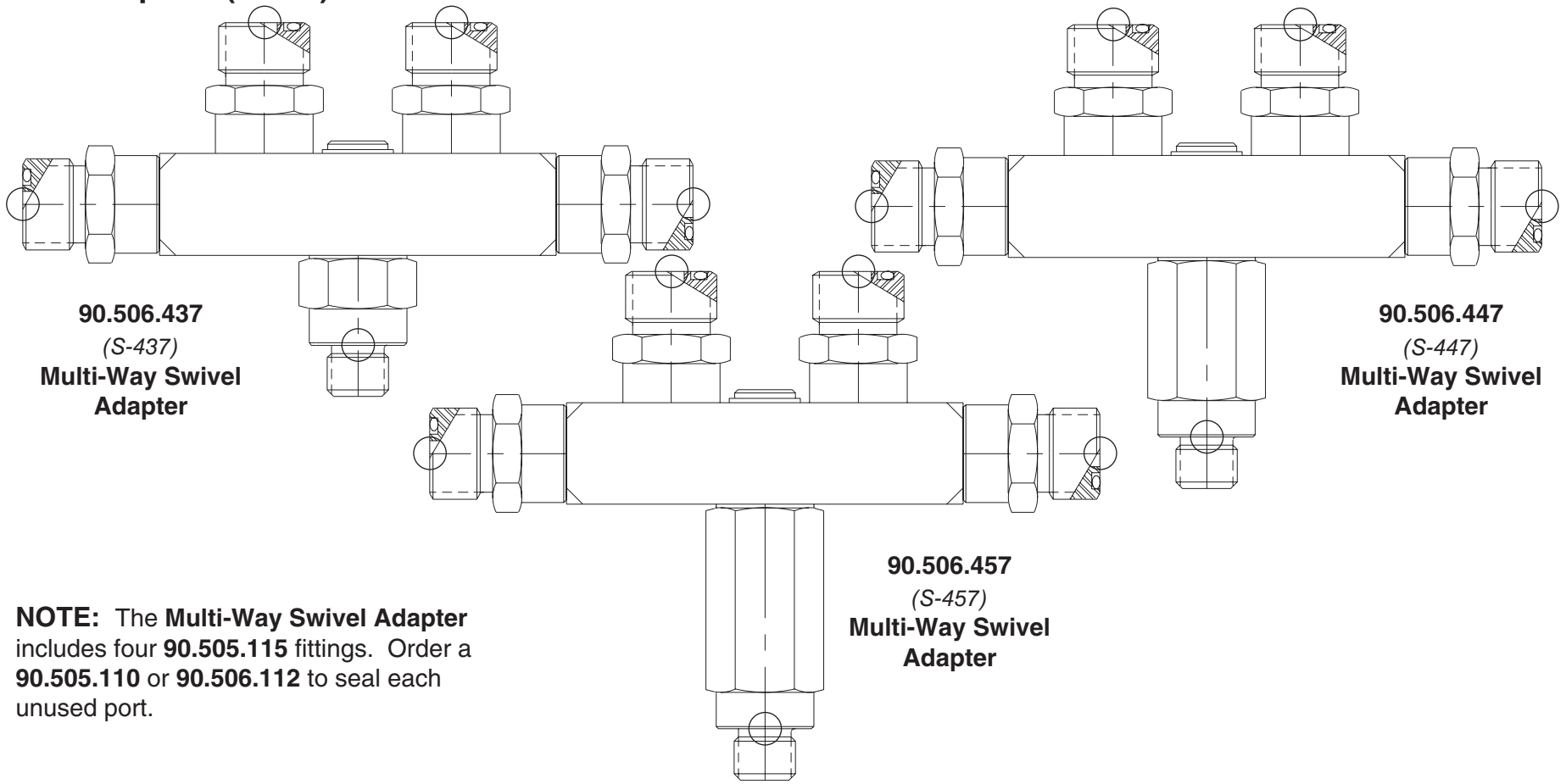
90.506.468
(S-468)
Two-Way
Swivel Adapter

NOTE: The Two-Way Swivel Adapter includes two 90.505.115 fittings

SEAL-LOK

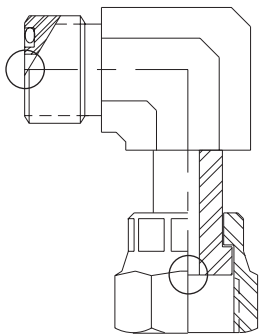
Port Adapters (con't.)

Series 90.10, 90.5B, 90.9, 98.80 (SC)

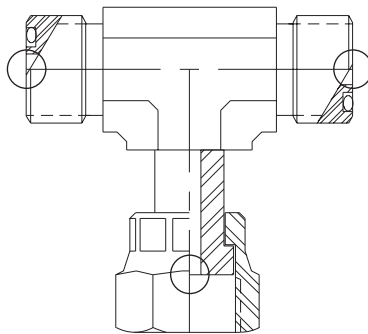


NOTE: The **Multi-Way Swivel Adapter** includes four **90.505.115** fittings. Order a **90.505.110** or **90.506.112** to seal each unused port.

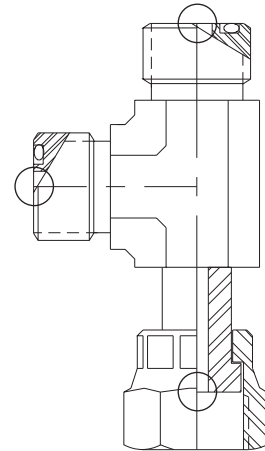
Standard Swivel Nut Fittings



90.506.221
(S-221)
Swivel Nut
90° Elbow

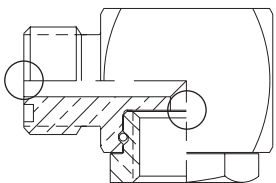


90.506.433
(S-433)
Swivel Nut
Branch Tee

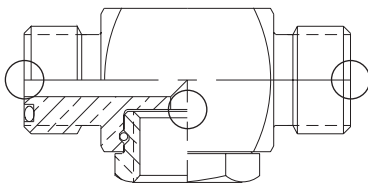


90.506.432
(S-432)
Swivel Nut
Run Tee

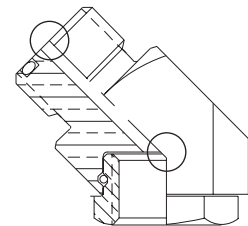
Compact Swivel Nut Fittings (patented)



90.507.221
(SJ-221)
Swivel Nut
90° Elbow

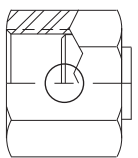


90.507.433
(SJ-433)
Swivel Nut
Branch Tee

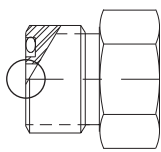


90.507.321
(SJ-321)
Swivel Nut
45° Elbow

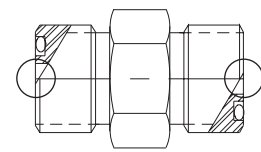
Miscellaneous Fittings



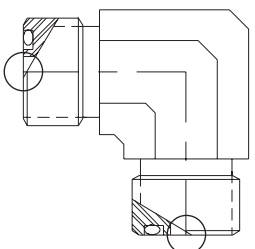
90.506.112
(S-112)
Tube End Cap



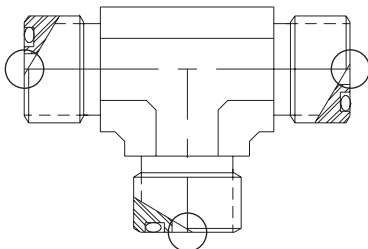
90.504.109
(S-109)
Swivel Plug



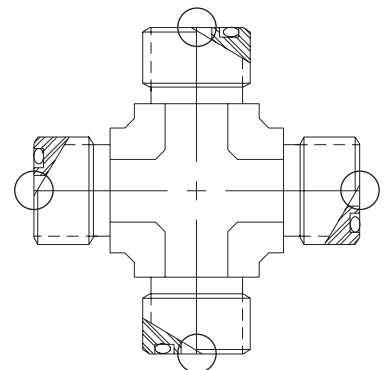
90.506.303
(S-303)
Union



90.506.201
(S-201)
Elbow



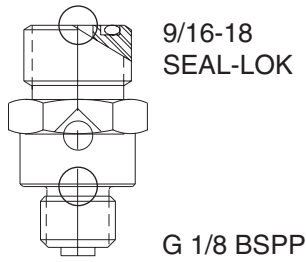
90.506.401
(S-401)
Tee



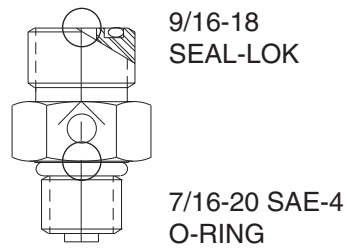
90.506.501
(S-501)
Cross

SEAL-LOK Retrofit Port Adapters

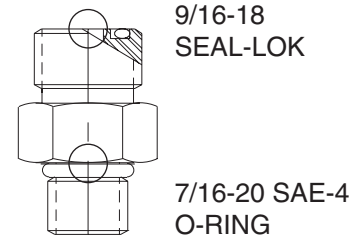
Series 90.10, 90.5B, 90.9, 98.80 (SC)



90.507.115
(SP-115)
G 1/8 Poppet Valve



90.507.120
(SP-120)
7/16-20 Poppet Valve



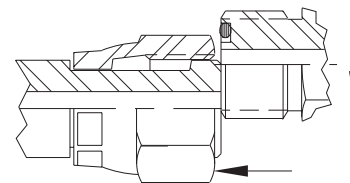
90.505.120
(S-120)
Open-Flow
Service Fitting



90.505.104
(D-104)
Flush Plug

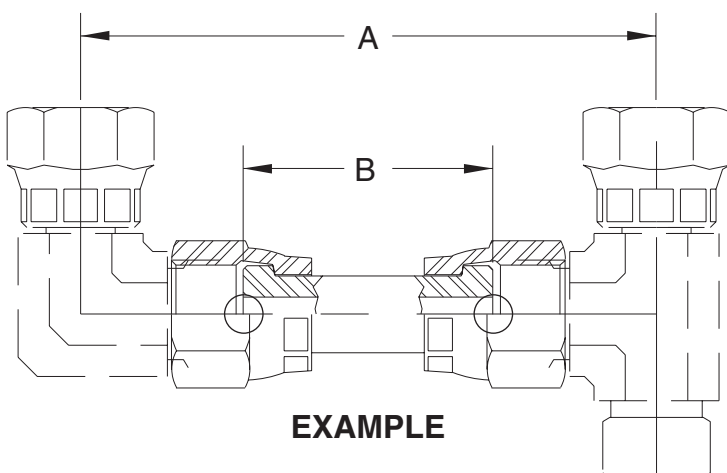
Solid Hose Fittings

- Use where space does not accommodate hose assemblies.
- Compact and easy to install.
- Dimension between fittings must be qualified.



- Retract the swivels located at the ends of the fitting.
- Slide the fitting into place.
- Secure the fitting by screwing the swivel ends to the port adapter.

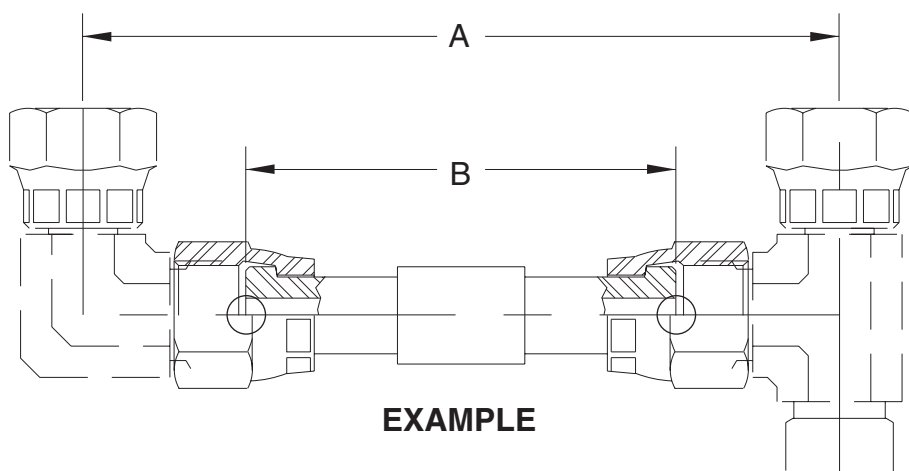
A = Spacing between cylinders or fittings.



EXAMPLE
90.503.9075
90.503.830
(S-9075, S-830)

Metric

Part Number	A	B
90.503.xxxx (S-9xxx)	xx.0 mm	A-43.2
9075	75.0	31.8
9100	100.0	56.8
9120	120.0	76.8
9125	125.0	81.8
9130	130.0	86.8
9140	140.0	96.8
9150	150.0	106.8



EXAMPLE
90.503.9100 to 90.503.9150
90.503.832 to 90.503.860
(S-9100 to S-9150
S-832 to S-860)

English

Part Number	A	B
90.503.xxx (S-8xx)	x.x in.	A-1.70
830	3.00	1.30
832	3.25	1.55
835	3.50	1.80
837	3.75	2.05
840	4.00	2.30
845	4.50	2.80
850	5.00	3.30
855	5.50	3.80
860	6.00	4.30

Series 90.10, 90.5B, 90.9, 98.80 (SC)

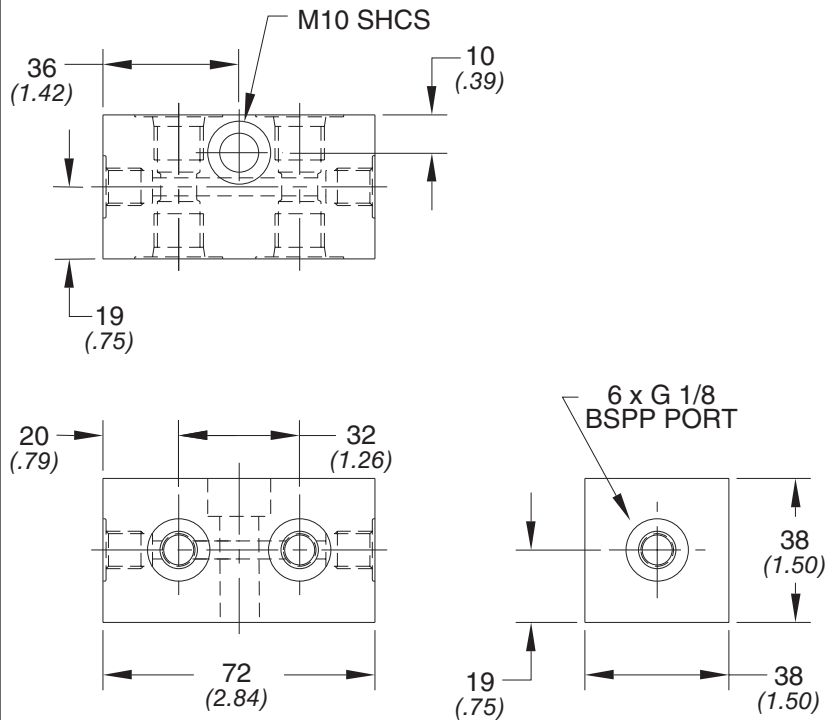
Distribution Blocks

The Distribution Block is used with a control panel to simplify piping to multiple cylinders. Four, ten, and twelve port units are available as standard. The distribution blocks here are shown at **half-scale**. For more information contact DADCO.

90.411.04

(DB-4)

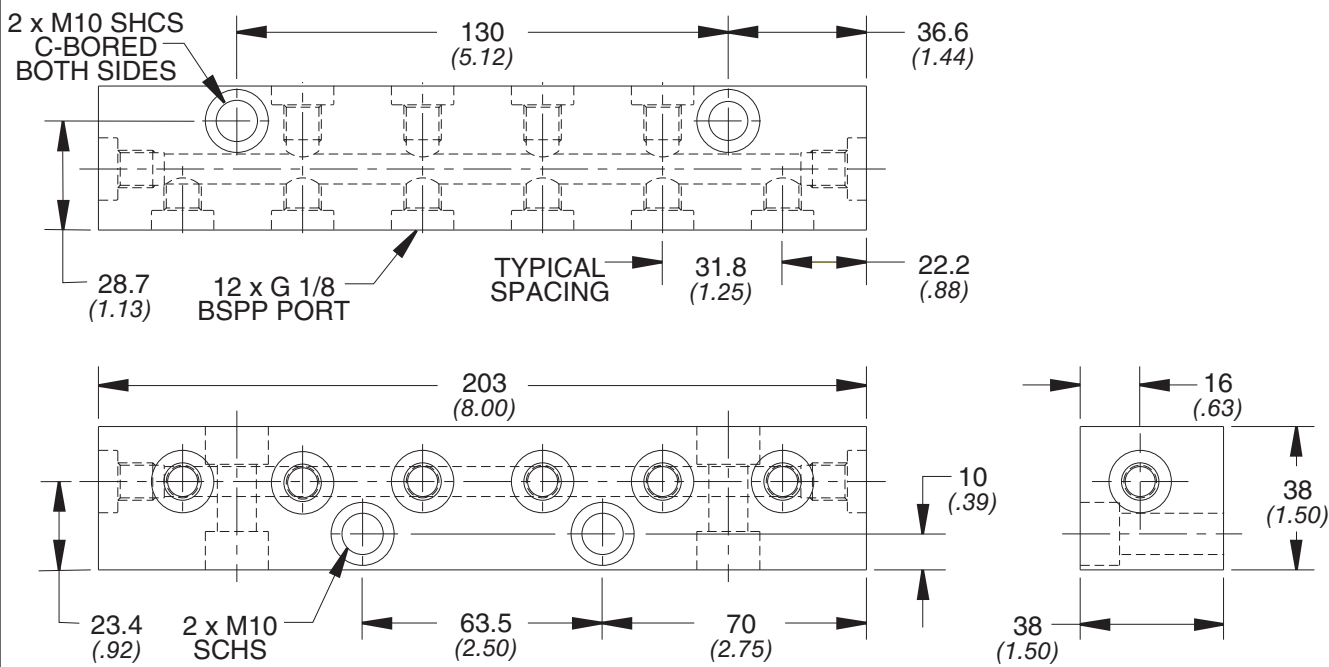
Distribution Block



90.411.10

(DB-10)

Distribution Block



90.411.12

(DB-12)

Distribution Block

