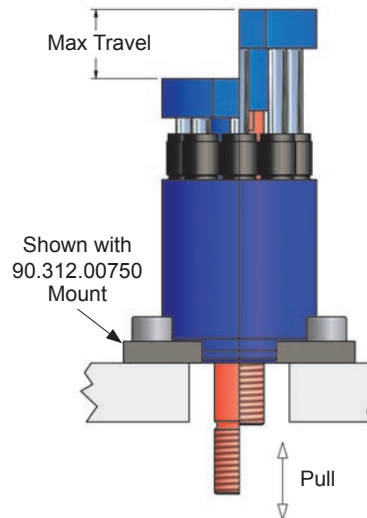
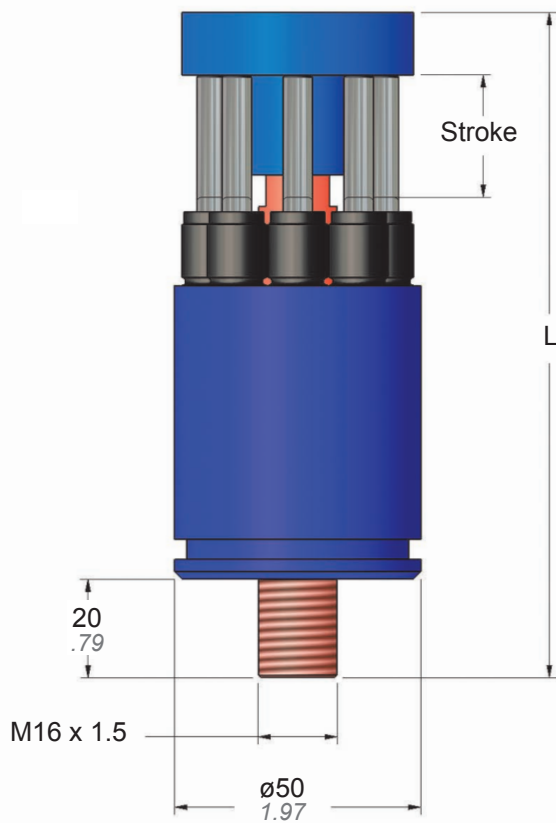
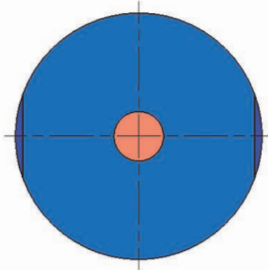


# Micro 45™ Nitrogen Gas Springs

## Tension Mount

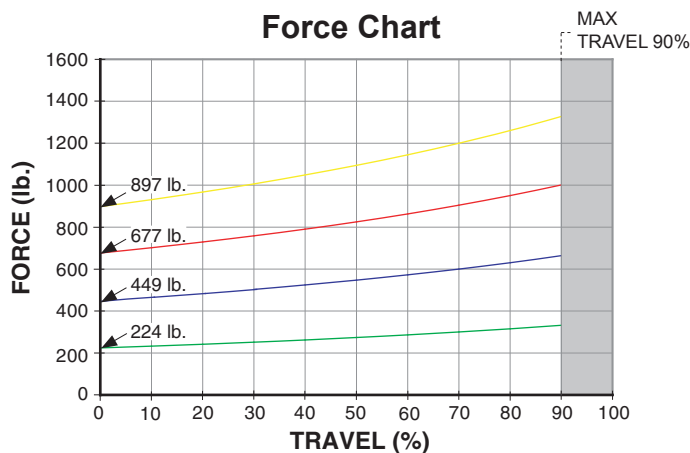
DADCO offers a **Micro 45™** Tension Mount to be used in special applications where space is limited or return force is needed. DADCO's Tension Mount is assembled with eight **Micro 45™** gas springs to provide up to 900 lbs. of force on contact. For more information on **Micro 45™** nitrogen gas springs refer to page 2.



Example of a Tension Mount compressed and extended.

Stroke mm inch	L
07 .28	99 3.90
10 .39	105 4.13
12.7 .50	110.4 4.35
15 .59	115 4.53
25 .98	135 5.31
38 1.50	161 6.34
50 1.97	185 7.28
63.5 2.50	215 8.46
80.0 3.15	248 9.76

Force Chart

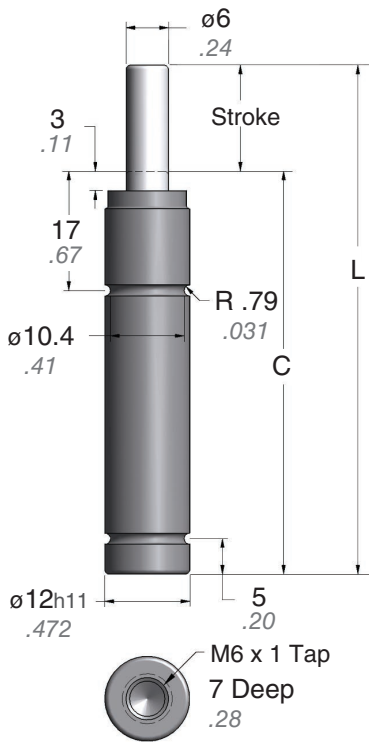


DADCO offers a variety of specialized mounts for the **Micro 45™** and other DADCO nitrogen gas springs. Contact DADCO with size and force requirements for more information.



B06107

**Nitrogen Gas Spring**



Force Chart	Initial lb. daN	Final lb. daN	Pressure psi bar
Yellow – YW	112 50	166 74	2560 177
Red – RD	84 37	124 55	1920 132
Blue – BU	56 25	83 37	1280 88
Green – GR	28 12	41 18	640 44
Black – BK	See Charts Below		

Part No.	Stroke mm inch	C	L ± 0.4 ± 0.015
• C.045.007	07 .28	49 1.93	56 2.205
C.045.010	10 .39	52 2.05	62 2.441
C.045.013	12.7 .50	54.7 2.15	67.4 2.654
• C.045.015	15 .59	57 2.24	72 2.835
• C.045.025	25 .98	67 2.64	92 3.622
• C.045.038	38 1.50	80 3.15	118 4.646
• C.045.050	50 1.97	92 3.62	142 5.591
C.045.063	63.5 2.50	108.5 4.27	172 6.772
C.045.080	80 3.15	125 4.92	205 8.071

• Preferred Sizes

**Force on Contact – Adjustable Black Model**  
Imperial Metric

Pressure (psi)	Force (lb.-f)
2560	112
2200	96
2000	88
1750	77
1500	66
1000	44
500	22
260	11

$P = F \div .044 \quad F = P \times .044$

Pressure (bar)	Force (daN)
177	50
150	42
125	35
100	28
75	21
50	14
35	10
18	5

$P = F \div .283 \quad F = P \times .283$

**Ordering Example:**

**C.045.007. TM. GR**

**Part Number:** \_\_\_\_\_  
Includes Series, Model and Stroke Length

**Mount Option:** \_\_\_\_\_  
TM = Tension Mount

**Force:** \_\_\_\_\_  
YW, RD, BU, GR  
BK - Black adjustable model - specify pressure:  
18-177 bar (260-2560 psi).  
*Adjustable Model Ordering Example:*  
C.045.007.TM.BK.150

**Operating Specifications**

Charging Medium: Nitrogen Gas  
Maximum Charging Pressure: 2560 psi (177 bar)  
Minimum Charging Pressure: 260 psi (18 bar)  
Operating Temperature: 20°F – 160°F (-6°C – 71°C)  
Maximum Speed: 35 m/min (23 in/sec)

**General Information**

- DO NOT exceed 90% of stroke
- Stripping applications require a slight preload 0.5 mm – 1 mm (.02" – .04")
- Use enough force to strip the part
- Design adequate safety so spring is not over stroked

For more information on **Micro 45™** cylinders request Catalog No. C05104.

734.207.1100 • 800.DADCO.USA • fax 734.207.2222 • www.dadco.net

