

DADCO®

Compact Nitrogen Gas Springs

90.5B Series



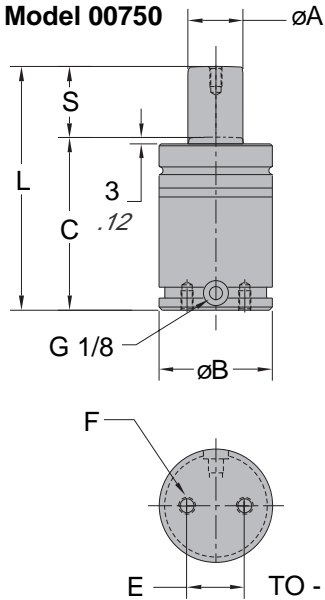
Reference catalog number 99C102A for information on mounts, accessories, and piping options.

Compact Height Nitrogen Gas Springs

90.5B Series

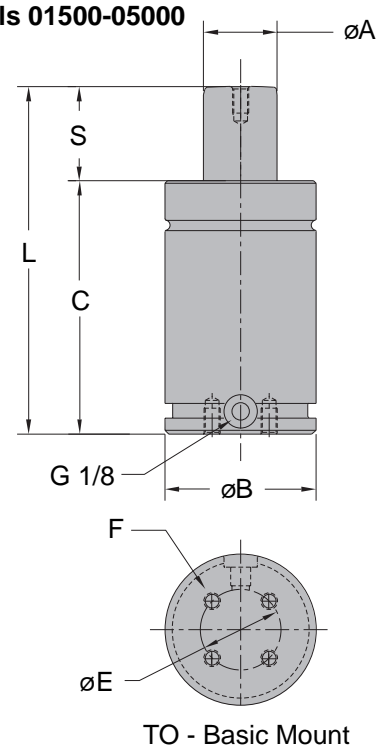
DADCO's 95 and 90.5 Series' have been merged and expanded to produce the 90.5B Series. The 90.5B Series offers the widest selection of strokes, models, and mounts for a compact, high force nitrogen gas spring. For additional information including mount options and piping capabilities, cross reference catalog number 99C102A.

Model 00750



Model: 90.5B	00750	01500	03000	05000
Contact Force F (kN)	7.3	15.3	29.4	49.8
(lb)	1640	3430	6620	11190
90% Travel F (kN)	11.3	19.9	40.9	77.7
(lb)	2530	4470	9200	17460
A	25	36	50	65
	0.98	1.42	1.97	2.56
B	50	75	95	120
	1.968	2.953	3.740	4.724
E	20	40	60	80
	0.787	1.575	2.362	3.150
F	2 x M8	4 x M8	4 x M8	4 x M10

Models 01500-05000



Part No.	S mm in.	00750		01500-05000	
		C	L	C	L
90.5B.xxxxx.013 Model	12.5 0.49	82.5 3.248	95 3.740	114.1 4.492	126.6 4.984
025	25 0.98	95 3.740	120 4.724	126.6 4.984	151.6 5.969
038	37.5 1.48	107.5 4.232	145 5.709	139.1 5.476	176.6 6.953
050	50 1.97	120 4.724	170 6.693	151.6 5.969	201.6 7.937
063	62.5 2.46	132.5 5.217	195 7.677	164.1 6.461	226.6 8.921
075	75 2.95	145 5.709	220 8.661	176.6 6.953	251.6 9.906
080	80 3.15	150 5.906	230 9.055	181.6 7.150	261.6 10.299
088	87.5 3.44	157.5 6.201	245 9.646	189.1 7.445	276.6 10.890
100	100 3.94	170 6.693	270 10.630	201.6 7.937	301.6 11.874
113	112.5 4.43	182.5 7.185	295 11.614	214.1 8.429	326.6 12.858
125	125 4.92	195 7.677	320 12.598	226.6 8.921	351.6 13.843
138	137.5 5.41	207.5 8.169	345 13.583	239.1 9.413	376.6 14.827
150	150 5.91	220 8.661	370 14.567	251.6 9.906	401.6 15.811
160	160 6.30	230 9.055	390 15.354	261.6 10.299	421.6 16.598
175	175 6.89	245 9.646	420 16.535	276.6 10.890	451.6 17.780
200	200 7.87	270 10.630	470 18.504	301.6 11.874	501.6 19.748
225	225 8.86	295 11.614	520 20.472	326.6 12.858	551.6 21.717
250	250 9.84	320 12.598	570 22.441	351.6 13.843	601.6 23.685

Repair Kits

Include a fully assembled cartridge, dust cover, bottle of Assembly Oil, and a Maintenance Manual.

90.5B.00750	90.105.951 (RK-951)
90.5B.01500	90.105.952 (RK-952)
90.5B.03000	90.105.953 (RK-953)
90.5B.05000	90.105.954 (RK-954)

For accessories, repair tools, and linked system capabilities, request catalog number 99C102A, or contact DADCO.

Ordering Example:

90.5B.01500.025. TO. C. 150

Part Number: Includes Series, Model, and Stroke length.

Mount Option: TO = Basic Mount. See catalog number 99C102A for additional mount options. When not specified, default is TO. Mount ordered with cylinder will be attached at the factory.

Charging Pressure: 15-150 bar or 220-2175 psi. When not specified, default is 150 bar.

Operating System: C = Self-contained, F = Open Flow Fitting. When not specified, default is C, self-contained.

*Reference catalog number 99C102A for information on mounts, accessories, and piping options.