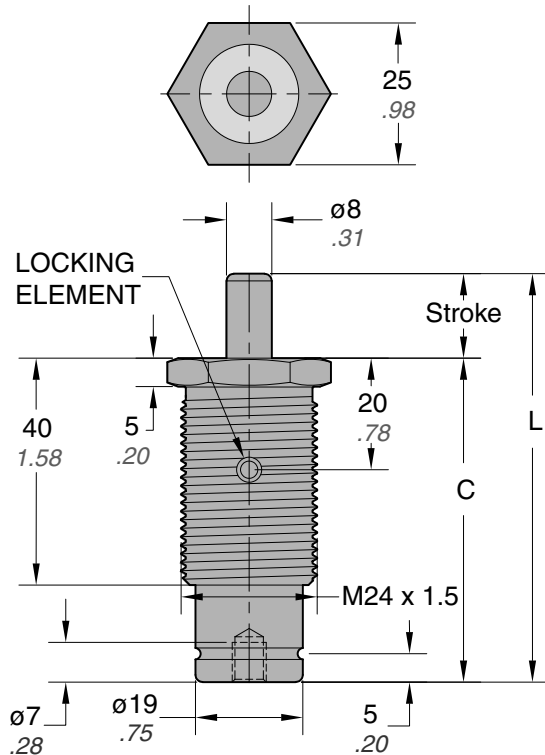


Micro Series Nitrogen Gas Springs

Micro 90™ TB3 – Threaded Body



Part No.	Stroke mm in	C	L ± 0.4 ± 0.015
•C.090.007	07 .28	49 1.93	56 2.205
C.090.010	10 .39	52 2.05	62 2.441
C.090.013	12.7 .50	54.7 2.15	67.4 2.654
•C.090.015	15 .59	57 2.24	72 2.835
•C.090.025	25 .98	67 2.64	92 3.622
•C.090.038	38 1.50	80 3.15	118 4.646
•C.090.050	50 1.97	92 3.62	142 5.591
C.090.063	63.5 2.50	108.5 4.27	172 6.772
•C.090.080	80 3.15	125 4.92	205 8.071
C.090.100	100 3.94	145 5.71	245 9.646
C.090.125	125 4.92	170 6.69	295 11.614

• Preferred Sizes

Force Chart	Initial lb. daN	Final lb. daN	Pressure psi bar
Yellow – YW	200 89	256 114	2560 177
Red – RD	150 67	192 85	1920 132
Blue – BU	100 44	128 57	1280 88
Green – GR	50 22	64 28	640 44
Purple – PR	20 9	26 12	260 18
Orange – OR	10 5	13 6	130 9
Black – BK	See Charts Below		

Force on Contact – Adjustable Black Model

Pressure (psi)	Force (lb.-f)
2560	200
2200	172
2000	156
1750	137
1500	117
1000	78
500	39

$$P = F \div .078 \quad F = P \times .078$$

Pressure (bar)	Force (daN)
177	89
150	75
125	63
100	50
75	38
50	25
34	17

$$P = F \div 0.50 \quad F = P \times 0.50$$

Ordering Example:

C.090.007.TB3.OR

Part Number
Includes Series, Model and Stroke Length

Threaded Body Style
TB3 = M24 x 1.5 Thd.

Force
OR, PR, GR, BU, RD, YW
BK – Black adjustable model - specify
pressure: 500 – 2560 psi, 34 – 177 bar.
Ordering Example C.090.007.TB3.BK.150