

TO – Basic Model

Part No.	S mm inch	C	L ± 0.25 $\pm .010$
• UX.20000.025	25 0.98	185 7.28	210 8.268
UX.20000.038	37.5 1.48	197.5 7.78	235 9.252
• UX.20000.050	50 1.97	210 8.27	260 10.236
UX.20000.063	62.5 2.46	222.5 8.76	285 11.220
• UX.20000.080	80 3.15	240 9.45	320 12.598
• UX.20000.100	100 3.94	260 10.24	360 14.173
• UX.20000.125	125 4.92	285 11.22	410 16.142
• UX.20000.160	160 6.30	320 12.60	480 18.898
UX.20000.200	200 7.87	360 14.17	560 22.047

• Preferred Sizes

Ordering Example:

UX.20000.025. TO. C. 150

Part Number:

Includes Series, Model and Stroke Length.

Mount Option:

TO = Basic Model. *When not specified, default is TO.* Mounts ordered with cylinder will be attached at the factory.

Charging Pressure:

15–150 bar (220–2175 psi). *When not specified, default is 150 bar.*

Operating System:

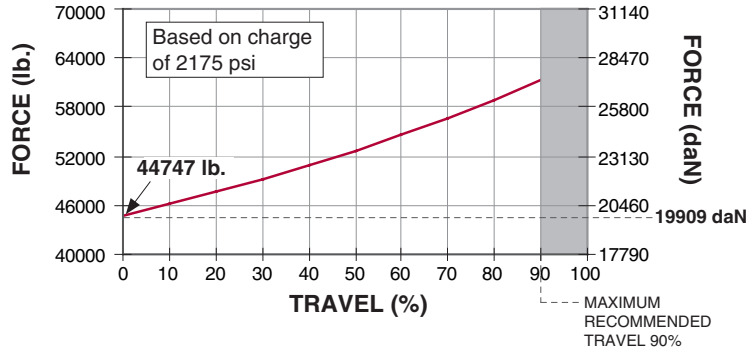
C = Self-contained, F = Open Flow Fitting. *When not specified, default is C, self-contained.*

UX.20000 Nitrogen Gas Springs

Force Charts

On-Contact Force

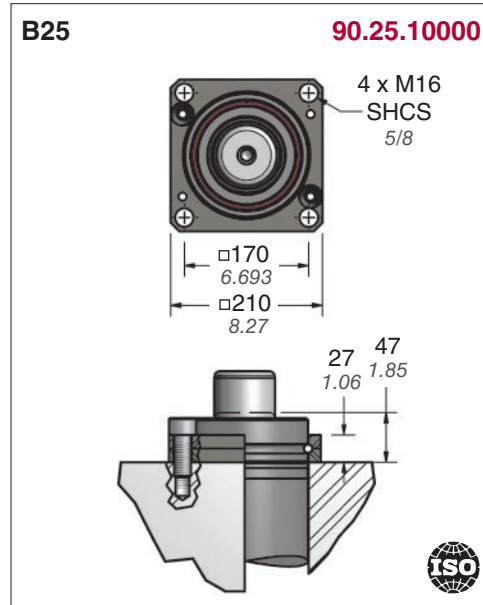
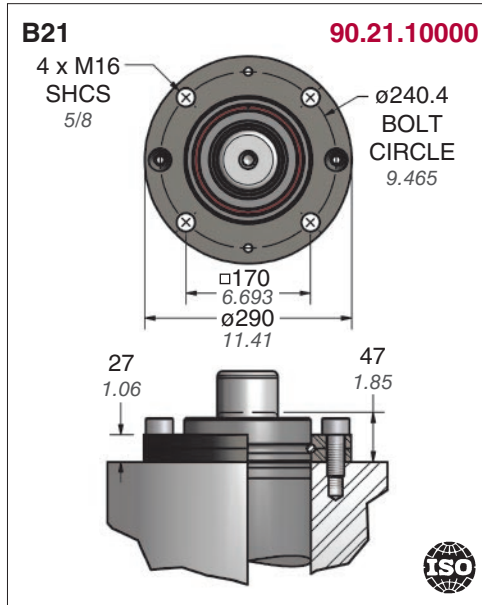
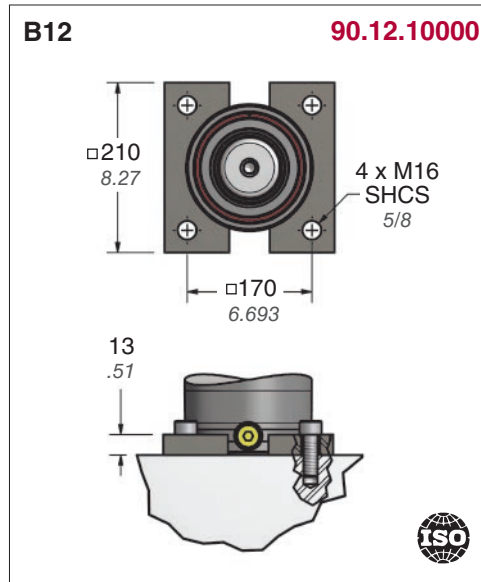
psi	lb.
2175	44747
2000	41147
1750	36004
1500	30860
1000	20574
500	10287
250	5143



On-Contact Force

bar	daN
150	19909
125	16591
100	13273
75	9954
50	6636
25	3318
20	2655

Mount Options



Ordering Example: **Cylinder with Mount:** UX.20000.025.B21.C.150 **Mount Only:** 90.21.10000

Refer to catalog C07105B for more specifications and a complete list of **Ultra Force Extended®** gas springs.



43850 Plymouth Oaks Blvd • Plymouth, MI • 48170 • USA
734.207.1100 • fax 734.207.2222 • 800.323.2687 • www.dadco.net